



PRODUCT CATALOGUE

EXPORT 2015/16



POSCH is always by your site

POSCH Austria

Headquarters / Production

POSCH Gesellschaft m.b.H.

Paul-Anton-Keller-Straße 40
8430 Leibnitz/Kaindorf
Austria

T +43 3452 / 82 954

F +43 3452 / 82 954-53

E export@posch.com

www.posch.com

Valid as from 01 november 2015. The publication of this list supersedes all previous price lists and separate price sheets. Please quote article number and designation on your order. Technical data, dimensions, illustrations of machines as well as alterations of safety-relevant standards are subject to continued development and as such are not, in all cases, binding for delivery. When exchanging machines and spare parts, the return delivery must be made freight charges paid. Customised machines cannot be taken back. Note: When returning individual, standard parts included in

the delivery (e.g. V-belt pulley, etc.) only 50% of the spare parts prices can be credited subject to the condition that the parts are considered new and delivery is made freight charges paid works Leibnitz (Austria) or Velden/Vils subsidiary (Germany). Our Conditions of Sale and Delivery apply. All rights reserved. Reproduction – even if only in excerpts – only upon prior approval by Posch.
© 2015 by Posch. Printing and setting errors reserved.

03 POSCH

Real power for real performance.

06 Splitting

SpaltAxt
Page 08

RuckZuck
Page 14

SplitMaster
Page 18

HydroCombi
Page 26

AutoSplit
Page 32



36 Cutting

Tilting table saw
Page 38

Roller-bench saw
Page 39

Tilting saw
Page 40

EasyCut
Page 48

SmartCut
Page 52



56 Split cutting

SpaltFix S
Page 58

SpaltFix K
Page 66

SpaltFix K Vario
Page 74



82 Billet handling

Conveyor belts
Page 86

Log series
Page 87

Bundling device
page 85

PackFix
Page 88



90 Chopping

ProfiHäcksler
Page 92

HackBlitz
Page 92



94 Debarking

Debarking machine
Page 96

SchälProfi
Page 96



99 Annex

Technical details and suitable accessory equipment for all POSCH machines.



REAL POWER FOR REAL PERFORMANCE.

For almost 70 years, we have been developing equipment that makes hard work easier. With patented and unique solutions you cannot find anywhere else. Find out for yourself: You can recognise POSCH machines by more power, speed and convenience in comparison with other equipment.





Accompanied by great expectations.

POSCH stands for premium quality

Improved splitting and cutting is the challenge we accept. The development of simple, fast and safe work processes is our passion. And the development of great machines with a long service life is our declared goal.

With its machines, POSCH fulfils a wide range of different requirements. We are the ideal partner for your project, covering everything from wood production for your personal requirements to professional timber processing lines. Something that all our machines have in common is that they do not leave anything to be desired as far as performance, operation, safety and stability of value are concerned. Our third-generation family-owned enterprise stands for

As a leading manufacturer in professional firewood processing, we are under a major obligation: Each of our units fulfils our extremely exacting quality requirements regarding workmanship and performance.

reliability and durability and consistently relies on quality from Austria. For this reason, the development and production departments consistently work on the improvement of our machinery under a single roof in Leibnitz. Naturally, you can convince yourself of that at any time. On our test site, you can check all our product highlights thoroughly. And if you need a new part after heavy use over many years, we will quickly provide you with the suitable part even after 20 or more years.

Leading the way with ongoing further development and premium quality

Our machines take their strength from the power of innovation

One of the most advanced production sites for machinery for firewood processing is located in Leibnitz in Southern Styria.

If Ferdinand Posch, the legendary founder of the company, walked through the shops today, he would probably not recognise his legacy right away. The trained toolmaker and exceptionally gifted innovator laid the foundation of the success story of POSCH in his parents-in-law's laundry room based on his skilfulness. With his son Heinz-Peter Posch, a far-reaching professionalising process was introduced to the company in 1967. Over the decades, his inventions enabled the

As we are in close contact with the innumerable users all over Europe and beyond, they keep sending us suggestions for new products they would like to buy.

proving measures have enabled POSCH to conquer all European countries from its headquarters in Leibnitz. Timber as a natural, constantly regrowing source of energy keeps gaining in importance. The comprehensive range of products has continuously been expanded by further machines, such as the private user range for high demands and the new developments in the special and industrial machinery segment. When Heinz-Peter Posch resigned as general manager in the year 2004,



Over 170 dedicated employees ensure premium quality from development to service.

company to become an industry leader. The first mechanical wood splitter in the year 1972 was the starting signal for the specialisation of POSCH in the field of firewood processing. A passionate quest for efficiency still characterises product developments today. The automation of processing has priority, and the first SpaltFix for cutting, splitting and loading in one operational step was developed in the year 1985. And new standards were set for the production processes as well. Two years later, the first welding robot was set up in the factory halls. The introduction of the dip painting facility and the first laser cutting facility set new standards for POSCH and the machines for firewood production. These quality-im-



Precision ensured by the sheet metal cutting process applied to each part in the CNC-controlled laser cutting facility.

the company was the number one in Europe in the field of firewood processing. Under the management of Petra and Johann Tinnacher, the expansion of the portfolio and the improvement of the existing products have priority. The PackFix system and many other intelligent solutions for professional billet handling have been developed in this period of time. A number of sensational patents – such as the Fixomatic system – were integrated in the products as a standard. The new 4,000 m² production hall and the commissioning of the powder coating facility in 2013 rang in a new era of premium quality, reliability and value stability. This stability and reliability pervade every area of our corporate culture.



Quality control and fine correction with the manual addition to the automatic powder coating facility.

170 highly qualified employees have been working for POSCH for many years. Their commitment and their passion make sure that each individual machine is of premium quality. Their open ears and experience with customers constantly contribute to the improvement of our products. And they can all rightly be a little proud when a newly developed product goes into series production and is met with enthusiasm. POSCH is well-equipped for the future, and we can achieve more together. A

Through our close contact with innumerable users all over Europe and beyond, we are constantly getting suggestions for new developments they would like to have.

Europe-wide network of stable and long-standing distribution partners brings us closer to our customers. Even today, over 80% of our machines are exported, with an upward trend. We are working intensely on the realisation of new innovations that make the processing of firewood even more efficient. And we also focus on improving our products to make sure that each POSCH unit is particularly durable thus resulting in more satisfied customers.



Precise final assembly of a SpaltFix S-360 done by hand passes every assembly inspection.



The production hall with modern powder coating facility ensures long-lasting protection for every single machine part.



Splitting with real power

With a POSCH wood splitter, you can process firewood quickly, efficiently and conveniently.

The right unit for each application. The range spans from high-quality machines for private customers to the coveted Hydro-Combi and the SplitMaster for professional processing. They all offer high quality and a drive for performance that demonstrate pure power, cubic metre by cubic metre..



SpaltAxt

The powerhouse for short timber
see page 8



RuckZuck

The splitter for private households
see page 14



SplitMaster

The horizontal splitter for professional applications
see page 18



HydroCombi

The vertical splitter for professional applications
see page 26



AutoSplit

The automatic kindling-producing machine
see page 32

SpaltAxt – the versatile vertical splitter

Powerful



9.3 t

Splitting power max.

Sturdy



127 kg

Weight min.

Fast



8 | 46 cm/s

Splitting speed | Return speed max.



Deals with every task in next to no time

The helpful features of SpaltAxt at a glance



1 Integrated timber retaining tip

The timber-retaining tip makes work easier for you. Thin logs or logs cut at an angle can easily be fixated and effortlessly split.



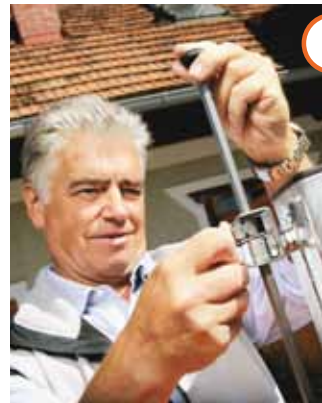
2 Splitter for short timber with optional cutting of metre-long logs

The special design and the mountable timber support table also enable the occasional splitting of metre-long logs. The cylinder stroke of 54 cm and the optional base plate enable splitting with a billet length of max. 130 cm.



3 Sturdy and durable design

With its compact design and its high-quality components, the SpaltAxt is almost indestructible. Nevertheless, should you need a spare part, Posch will supply you with the right components even 20 years after you purchased your machine or later.



4 Working faster

The splitting stroke of the SpaltAxt can be adjusted without tools and therefore lets you do your work particularly fast. Your SpaltAxt always only returns to the set log length and is ready for action again immediately afterwards.



5 Easier transportation

Use your SpaltAxt precisely where you need it. The large solid rubber wheels with a diameter of 30 cm make it easy to transport it by hand. A three-point linkage for transportation by tractor is optionally available.



6 You can count on the turbo

SpaltAxt is also available as a turbo model. The high-performance splitter for even more splitting speed is characterised by its outstanding speed and fast readiness of use, and it is particularly quiet in operation..

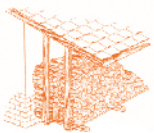


Experience the SpaltAxt
in action at:
[www.posch.com/en/
SpaltAxt](http://www.posch.com/en/SpaltAxt)

The ideal short-timber splitter for every application

Splint timber anywhere with SpaltAxt

The sturdy and durable short-timber splitter for all applications produces firewood for the whole winter in a short period of time.



The right way to store firewood

Without soil contact and well-ventilated under a well-ventilated cover in the sun, the freshly split timber quickly attains the desired water content of less than 20 percent.

When producing firewood for your personal use or producing medium volumes, you need a timber splitter that is compact and robust and does its job for a reasonable price. The SpaltAxt is such a trusty piece of equipment that deals with all tasks. With the large solid rubber wheels or the three-point linkage, it can easily be transported to the work site. Despite its compact design, it fulfils all requirements of

Assure yourself of the excellent running smoothness and the low noise level of SpaltAxt Turbo.

private households and farms and demonstrates its great power during use. Geared to your individual needs, the SpaltAxt is available with different drive types and designs that enable you to split timber quickly and effortlessly. The timber retaining tip and the 2-hand safety control unit ensure smooth operation that can be controlled safely and effortlessly by everyone.

Fast, safe and convenient splitting

The SpaltAxt is the ideal unit for medium volumes of firewood. It splits short logs just as well as metre-long logs (optionally up to 130 cm) and ensures a fast work pace with its tried-and-tested technology. The low-noise hydraulic system also works smoothly during continuous operation as well, the push-on splitting knife with rollers (from SpaltAxt 8 onwards) ensures a faster splitting process. The timber springs open quickly and the rollers prevent the billets from jamming during the return movement.

High-performance splitter with higher speed

With the turbo model (from SpaltAxt 8 onwards), you not only profit from a higher splitting speed, but also from extraordinary running smoothness. You will come to appreciate the quiet mode of operation immediately when you hear your SpaltAxt glide through the wood quietly and vigorously and when it can be used again afterwards as soon as possible. The splitting power of up to 9.3 t enables the effortless, occasional splitting of metre-long logs as well. The splitting table can be brought in the right position for different log lengths.

Optional accessory equipment for your SpaltAxt

The large timber support table provides for a larger support area and thus makes working more comfortable. The wheel set with pneumatic tyres and the three-point linkage for hauling by tractor make transportation easier. In addition, you can fit your SpaltAxt Special with the optional base plate to process particularly long logs.



With the height-adjustable splitting table, you can also produce metre-long logs with SpaltAxt Special.



The push-on splitting knife with rollers does the job quickly and thoroughly.



With the three-point linkage (also available for E-machines), your SpaltAxt is suited for all applications.

Find the right unit for the fast production of firewood

Powerhouse for short timber

- Splitting power 5–9.3 t
- Billet length 55–130 cm
- Cylinder stroke max. 54 cm
- Solid rubber wheels
∅ 25–30 cm



HomeSplit 6

HomeSplit 6

The sturdy entry-level model for short timber.

SpaltAxt	6
Splitting power max. t	6
Billet length max. cm	55
Cylinder stroke max. cm	54
Splitting knife length cm	20
Splitting speed max. cm/s	5
Return speed max. cm/s	31
Weight kg	127
Drive types	Ⓜ E-motor

Details see page 101

ⓘ Split your own wood easily and safely.



SpaltAxt 8, E-motor

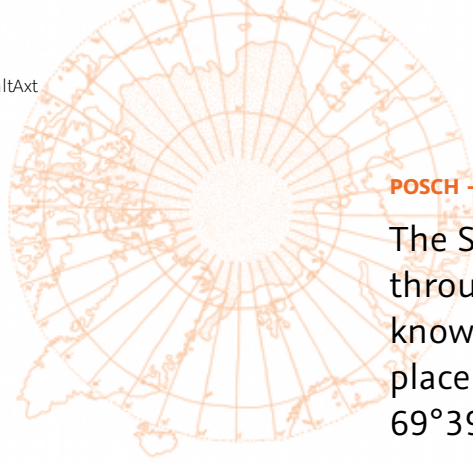
SpaltAxt 8

The short-timber splitter with more power.

SpaltAxt	8
Splitting power max. t	7.2
Billet length max. cm	55
Cylinder stroke max. cm	54
Splitting knife length cm	20
Splitting speed max. cm/s	7
Return speed max. cm/s	41
Weight min/max kg	138/150
Drive types	Ⓜ E-motor

Details see page 101

ⓘ With larger wheels for easier transportation.



POSCH – HardFact

The SpaltAxt is popular throughout the world. To our knowledge, the northernmost place where one of them is used is 69°39'36" on the Arctic Circle.



400V



The models **SpaltAxt Special** also enable the **splitting of metre-long logs**.



SpaltAxt 10 Special E5.5 Turbo, splitting table inserted in middle position

SpaltAxt 8 & 10 Special

The powerful splitter for short and metre-long logs.

SpaltAxt	8 Special	10 Special
Splitting power max. t	7.2	9.3
Billet length max. cm	100 (optional 130)	100 (optional 130)
Cylinder stroke max. cm	54	54
Splitting knife length cm	20	26
Splitting speed max. cm/s	8	8
Return speed max. cm/s	46	32
Weight min/max kg	145/255	196/250
Drive types	🚗 Tractor 🚗 E-motor 🚗🚗 combination 🚗 petrol	

Details see page 101 102

⚠️ Also available as turbo model for higher splitting speed.

Useful accessory equipment for each SpaltAxt



Base plate for billet lengths up to 130 cm

Available for SpaltAxt 8 Special and SpaltAxt 10 Special.



Timber support table

Always have all pieces of wood ready to hand without having to bend down.



Set of pneumatic tyres for easier transportation

Lug-tread pneumatic tyres with a diameter of 40 cm make the SpaltAxt even more mobile.

RuckZuck – the quick short-log splitter for home use

Powerful



5.6 t

Splitting power max.

Sturdy



131 kg

Weight min.

Fast



22 | 24 cm/s

Splitting speed | Return speed max.

To be found in every well-equipped wood burning household

Probably the most convenient and fastest way to split timber for cosy hours in front of the fireplace.

1 Convinces with easy and safe two-hand operation



The RuckZuck is the ideal log splitter for your home. The horizontal splitter is characterised by its particularly convenient and safe operation, and it easily splits hardwood as well.

2 The turbo model saves you time and offers higher operating smoothness



The RuckZuck was designed for efficient working. The large engine with two advance speeds and the adjustable splitting stroke save you a considerable amount of time. In addition, the turbo model has a higher splitting speed, it runs more smoothly and produces a low noise level.



RuckZuck Turbo

3 Precise processing for extraordinary durability and stability of value



The foundation of the quality of each individual machine is laid already with the design and the selection of the right materials. The wide pressure plate guide made of high-grade brass ensures durability.

5 Smooth continuous operation due to ideal dimensions



The low-noise hydraulic system with oil filter in combination with the large engines leaves nothing to be desired even for longer work units. You can easily stock up with firewood for a cold winter.

4 Handy timber trough for central splitting



As soon as you have put the log in the timber trough, the machine practically does the rest on its own. The trough centres the log for precise cutting by the splitting knife. Optionally, a reversible splitting cross for four billets in one work step and a timber support make the work even easier.

6 Easy handling for fast transportation to the work site



The RuckZuck can be transported quickly and easily to the work site. The large solid rubber wheels with a diameter of 30cm and ideal weight distribution make transportation particularly easy.

Normal and turbo model for more power

Reliable helpers for short timber

- Splitting power 5 or 6 t
- Max. billet length 55 cm
- Cylinder stroke max. 54 cm
- Two advance speeds
- Movable on two solid rubber wheels ø 30 cm



RuckZuck 6 Turbo with push on reversible splitting cross

RuckZuck & RuckZuck Turbo

Convenient horizontal wood splitter for private households.

RuckZuck	6	6 Turbo
Splitting power max. t	5.6	5.6
Billet length max. cm	55	55
Cylinder stroke max. cm	54	54
Splitting speed max. step 1/2 cm/s	8/15	11/22
Return speed max. cm/s	17	24
Weight min/max kg	131/140	156
Drive types	⊕ E-motor ⊕ petrol	⊕ E-motor
Details see page	103	103

⚠ Faster splitting with less noise thanks to the turbo model.

Useful accessory equipment for every RuckZuck



Working faster

The push-on reversible splitting cross produces four billets in one work step.



No bending over

The ergonomic timber support table keeps the finished product ready at hand.



Experience the speed
in action at:
[www.posch.com/en/
RuckZuck](http://www.posch.com/en/RuckZuck)

The safe solution for your home

RuckZuck makes splitting so easy

The name of this unit says it all. It is ready for use immediately, splits your firewood for the winter conveniently and in no time.

Makes your tiled stove experience even more enjoyable

The RuckZuck is probably the most convenient tool for producing your own firewood for relaxing hours in front of a fire. Simply prepare your own firewood in summer or autumn, and look forward to the cold season. In winter, you can enjoy sitting at the fireplace, and look forward to using your RuckZuck next time. As a result of the safety-oriented design, the RuckZuck is safe to operate and the jamming of billets is prevented. Simply put on a log and listen to the delightful cracking sounds when the RuckZuck carries out its job with a splitting power of up to 6 tons. Optionally the turbo version offers a higher splitting speed and even more running smoothness.. So the splitting of your own firewood actually becomes a pleasurable activity.

Sophisticated supplementary solutions for the RuckZuck

This accessory equipment makes the RuckZuck even faster and more efficient. With the push-on reversible splitting cross, you can split logs in four billets in one work step, which saves a lot of time. A particularly handy feature is also the timber support behind the splitting tool, where the split billets are placed ready to hand for your convenience. The ergonomic working height lets you work effortlessly.

SplitMaster – the horizontal splitter for professional applications

Powerful



55 t

Splitting power max.

Large



267 cm

Billet length max.

Fast



33 | 28 cm/s

Splitting speed | Return speed max.

More power for every work step

The features of
the SplitMaster
provide powerful
support

1 Precise guidance of the pressure piece up to the splitting knife

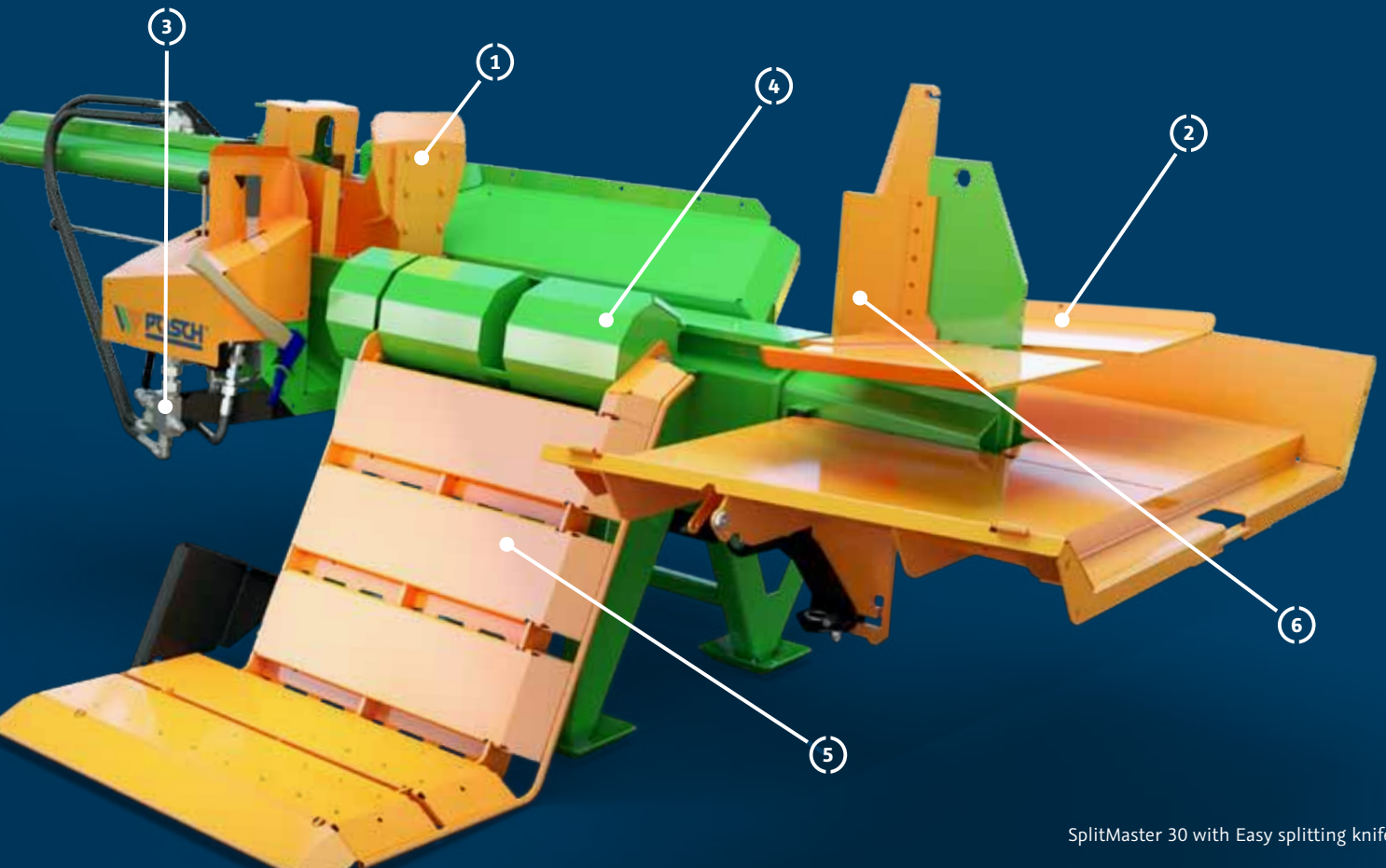


The special design makes processing of any timber even easier for you. The pressure piece is pressed to the splitting knife with full power, and even fibrous or knotted wood is easily split entirely in that way.

2 Work faster with the Easy splitting knife



This optional work simplification tool ensures faster timber handling and saves you a lot of effort. Regardless of log diameter, the bottom billets are already the ideal size for storage and further processing. The top billets are simply pulled back for the next splitting cycle.



SplitMaster 30 with Easy splitting knife

3 Optimised hydraulic system for safe continuous operation



The professional hydraulic system with large grey cast iron pump ensures a fast splitting cycle even at a low PTO speed (illustration with optional oil cooler).

5 Ergonomic operation with timber support and lifting device



The hydraulic lifting device easily brings heavy logs in the splitting position. Thanks to the ergonomic operating height of the timber support table, you can continue working effortlessly.

4 Tool-free switching from transport to work position



The compact design and the smart transport position make sure that even remote woodlands can be reached. Your SplitMaster will be ready for action within a few minutes of arrival.

6 Splitting knife adjustable to log diameter and needs



Supreme billet quality and great hourly output. Hydraulic splitting knife adjustment and double-edge knives produce neat billets split in the middle and little scrap wood. For efficient splitting, switch to a splitting knife for 6 or 8 billets or to the Easy splitting knife.

Entry-level models for horizontal splitting

Endurance splitter for short timber

- Splitting power 9 t
- Max. billet length 50 cm
- Cylinder stroke max. 54 cm
- Height-adjustable splitting knife



▶ Autospeed



SplitMaster 9 with large timber support table

SplitMaster 9

Ergonomic wood splitter for private households and farms.

SplitMaster	9
Splitting power max. t	9
Billet length max. cm	50
Cylinder stroke max. cm	54
Max. billets/cycle	6
Splitting speed max. stage 1/2 cm/s	8/19
Return speed max. cm/s	14
Drive types	Tractor E-motor combination petrol
Details see page	106

Optionally with hydraulic splitting knife adjustment.

Useful accessory equipment

The large timber support table makes working easier, the splitting knife for 6 pieces ensures a high hourly output.

[Details from page 106](#)



The proper chassis for the SplitMaster 9 is also available with approval for road transportation upon request.

[Details from page 106](#)





Experience the SplitMaster in action at:
www.posch.com/en/SplitMaster

Split faster with the SplitMaster 9

The small SplitMaster with a lot of power

The 9-ton version of the horizontal splitter also offers many of the advantages of the larger models.

Immediately ready for action for private use and farms

The SplitMaster 9 is the ideal unit for medium volumes of timber. With its compact design and its hand-gear trolley with two solid rubber wheels, it is easy to transport and ready for action anywhere in no time. The additionally included three-point linkage and the tractor chassis get the SplitMaster 9 ready for use outside your farmyard as well. Due to the wide pressure plate guide made of high-grade brass, every SplitMaster is durable and of stable value. The ideally dimensioned hydraulic system and the large oil supply ensure that it works reliably in continuous operation without overheating.

The ergonomic horizontal splitter boasts many benefits and Autospeed ▶

Working will be easier for you with the SplitMaster. With the Autospeed function, the unit responds to the



Model with standard timber support table in transport position with transport aid.

necessary splitting pressure and automatically selects the optimum forward speed. The adjustable splitting stroke makes sure that the SplitMaster 9 is ready for action again as fast as possible. In addition, it can easily be adjusted to different log diameters without tools, the height-adjustable splitting knife produces up to six billets per work cycle.

The right SplitMaster for large volumes of timber

The powerful endurance splitter

- Splitting power 20-30 t
- Cylinder stroke max. 130 cm
- Max. billet length 125 cm
- Max. 8 billets/cycle



400V

▶ Autospeed



SplitMaster 30 with separator plate and splitting knife for 6 pieces

SplitMaster 20

The ergonomic wood splitter with log lifting device and high hourly output.

SplitMaster	20
Splitting power max. t	20
Billet length max. cm	110
Cylinder stroke max. cm	115
Max. billets/cycle	6
Splitting speed max. step 1/2 cm/s	13/27
Return speed max. cm/s	26
Drive types	Tractor E-motor combination
Details see page	106

Also available with tractor chassis.

SplitMaster 26/30

The professional horizontal splitter with maximum power for longer billets.

SplitMaster	26	30
Splitting power max. t	26	30
Billet length max. cm	125	125
Cylinder stroke max. cm	130	130
Max. billets/cycle	8	8
Splitting speed max. step 1/2 cm/s	15/33	13/25
Return speed max. cm/s	28	26
Drive types	Tractor E-motor combination	
Details see page	107	107

Rope winches and lifting devices make woodwork easier.

Useful accessory equipment for every SplitMaster

Even easier splitting of firewood with the Easy splitting knife

When logs are pressed through the Easy splitting knife, the bottom logs already have the optimum size for storage and further processing. The large billets on the top support can easily be pulled back in front of the splitting knife by means of the included one-hand lumber pick. This is the most convenient, ergonomic and efficient way to process firewood.



400V



▶ Autospeed

For more photos of SplitMaster, go online to: www.posch.com/SplitMaster

SplitMaster 30 with tractor chassis

SplitMaster 26/30 longitudinal chassis

The professional horizontal splitter with longitudinal tractor chassis for mobile applications.

SplitMaster	26 FW	30 FW
Splitting power max. t	26	30
Billet length max. cm	125	125 (max. 225)
Cylinder stroke max. cm	130	130 (max. 230)
Max. billets/cycle	8	8
Splitting speed max. step 1/2 cm/s	15/33	13/25
Return speed max. cm/s	28	25
Drive types	Ⓐ Tractor Ⓔ E-motor Ⓐ+Ⓔ combination Ⓖ diesel	
Details see page	108	108

⚠ Easy splitting knife for effortless operation.



SplitMaster 30 for installation on a timber trailer for easier charging

This variant offers all advantages and additionally ensures improved manoeuvrability for working with timber trailers and crane charging. The SplitMaster 30 for timber trailers is prepared in such a way that it can basically be adapted to any timber trailer quickly and easily.

The most powerful SplitMaster units of our range

Particularly powerful solutions

- Splitting power 35-55 t
- Cylinder stroke max. 267 cm
- Max. billet length 250 cm
- Crane charging possible



400V

▶ Autospeed

SplitMaster 40 Crane

SplitMaster 35 Special

The powerful short timber splitter for up to 18 billets.

SplitMaster	35 Special
Splitting power max. t	34.5
Billet length max. cm	50
Cylinder stroke max. cm	60
Max. billets/cycle	18
Splitting speed max. step 1/2 cm/s	8/15
Return speed max. cm/s	16
Drive types	🚗 Tractor 🌋 E-motor 🚗🌋 combination
Details see page	110

⚠ For professional applications.

SplitMaster 40 and 40 Crane SplitMaster 55 and 55 Crane

The most powerful wood splitter with timber crane charging option.

SplitMaster	40 and 40 Crane	55 and 55 Crane
Splitting power max. t	40	55
Billet length max. cm	125 (optional 250)	125 (optional 250)
Cylinder stroke max. cm	137 (optional 267)	137 (optional 267)
Max. billets/cycle	6	6 (12 for short logs)
Splitting speed max. stage 1/2 cm/s	11/19	8/13
Return speed max. cm/s	28	18
Drive types	🚗 Tractor 🌋 E-motor	
Details see page	110	111

⚠ For professional charging.

More power for improved performance.

Pushing the boundaries of timber processing

These SplitMaster units create ideal conditions for all applications where large logs are processed. As timber trailer unit or with an own chassis, they are ideally equipped for any kind of work.

SplitMaster 35 – a specialist for short timber

With an impressive speed, this machine produces up to 18 short billets with one splitting stroke and is then immediately ready for the next cycle. The powerful hydraulic splitter takes round timber pieces with a diameter and a length of up to 50 cm, the hydraulic splitting knife adjustment ensures user-friendly operation and optimum work settings.

SplitMaster 40/55 – process the entire content of a log store in no time

The extraordinary splitting power of these SplitMaster models is due to the high-pressure hydraulic system with an axial piston pump. It turns logs with a diameter of up to 90 cm into billets of a maximum length of up to 250 cm. The high-seat control makes sure that you stay on top of things even when processing large volumes of timber. Upon request, you can considerably extend the radius of action of your SplitMaster. When equipped with chassis and approval for road transportation, it easily covers major distances with up to 80 km/h.



The professional short timber splitter SplitMaster 35 Special presses the logs through the splitting knife with up to 35 t and produces up to 18 billets per cycle.

Only the best is good enough

To make sure that the SplitMaster works smoothly in continuous operation as well, we use only premium-quality materials for construction. The pressure piece moves precisely up to the splitting knife, and even fibrous and knotted wood is easily split entirely in that way. The high processing quality guarantees the long service life and the stable value of each SplitMaster.

Log splitter with timber crane charging option



Able to handle the heaviest loads

The timber charging crane lifts logs with a weight of up to 414 kg in the splitting trough, where they are pressed through the splitting knife with up to 55 tons. With these awe-inspiring values, your timber will probably simply fall to pieces..

Our customer advisers are pleased to provide information and to help you find an optimum solution for your application.

HydroCombi – the vertical splitter for professional applications

Powerful



26 t

Splitting power max.

Sturdy



310 kg

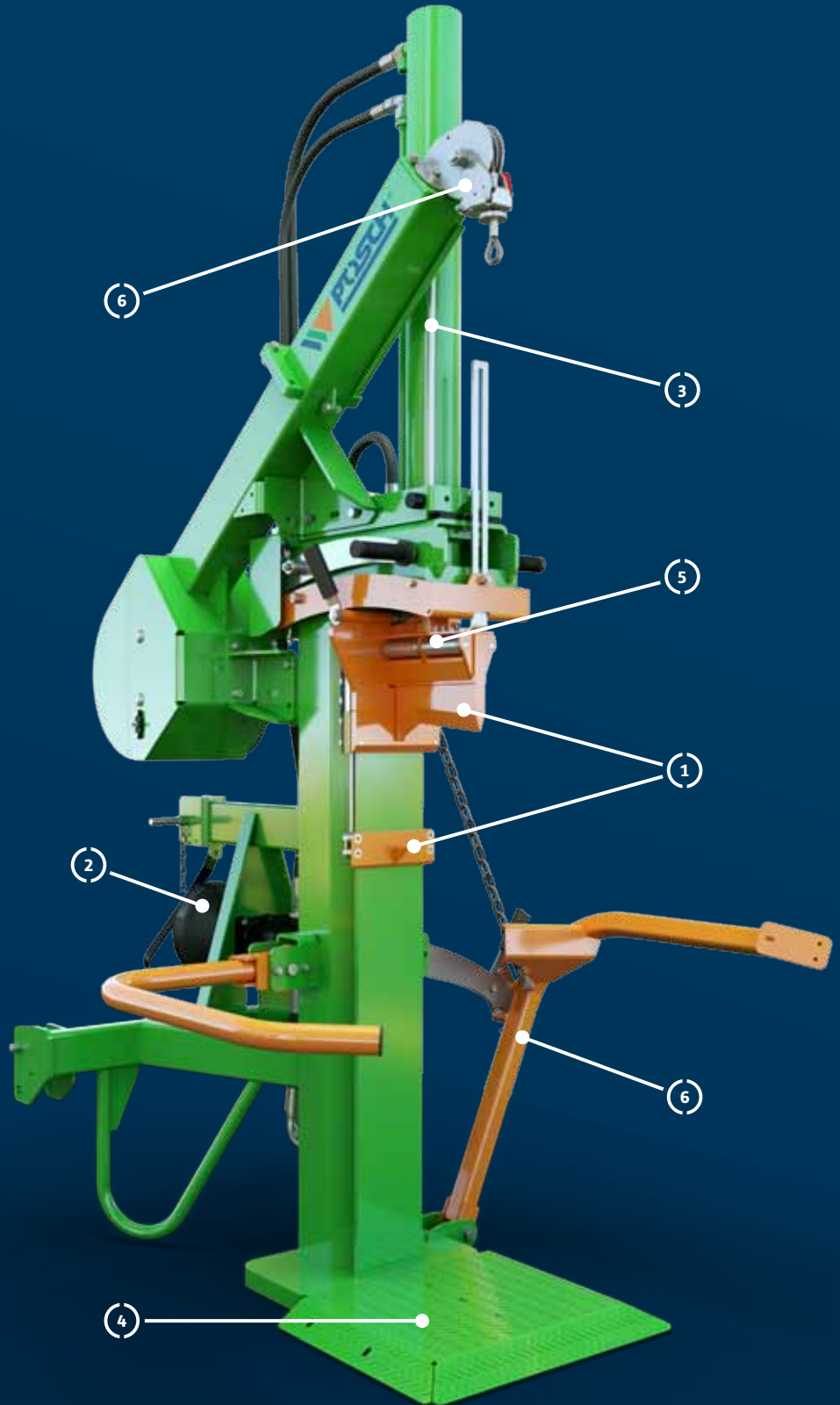
Weight min.

Fast



32 | 42 cm/s

Splitting speed | Return speed max.



All innovations of the HydroCombi at a glance

Every real HydroCombi boasts many useful features

1 Patented Fixomatic system with timber retaining tip as standard



With the two-part splitting knife (Fixomatic system) or the timber retaining tip, the timber can be fixed during the splitting process so you do not have to go to the trouble of holding it in place.

Experience in action:
www.posch.com/en/Fixomatic

2 Optimally dimensioned hydraulic system with smooth running industrial grey cast iron pump



The optimised hydraulic system enables you to work longer periods of time without the device overheating and convinces with the high pump delivery rate at low PTO speed. More safety and reduced maintenance costs are guaranteed by the built-in tank in the vertical column with double bottom.

3 Work faster with ▶ Autospeed functionality and stroke limitation



The Autospeed functionality that automatically selects the optimum splitting speed ensures maximum performance. The stroke limitation reduces the return path to the required log height, and so HydroCombi is ready for use again more quickly.

4 Large steel base plate and optional floor grating



The solid steel base plate with optional floor grating ensures a secure stand while working. The use of high-grade steel reduces the height of the base element and therefore also the force required to position the log.

5 Integrated rollers in the splitting knife prevent jamming



The rollers with plain bearings prevent soft wood from jamming during the return movement and ensure trouble-free operation. The high-grade tool steel and the precise workmanship guarantee a particularly long useful life of the splitting knife.

6 Standard log lifting device and optional rope winches



The HydroCombi brings heavy logs in the right position almost effortlessly. The mechanical log lifting device easily sets the timber upright and ensures ergonomic and comfortable splitting. Optional rope winches make work even easier.



Experience a HydroCombi
in action at:
[www.posch.com/en/
HydroCombi](http://www.posch.com/en/HydroCombi)

Better standard equipment

More convenient working with HydroCombi



Cutting firewood correctly
Ideally, a log is cut in the winter months and the wood is split and cut right away so that the drying process can set in immediately.

For decades, the HydroCombi has been the epitome of great quality, and now the well-engineered vertical splitter with new advancements is available.

The HydroCombi is a classic that will never become outdated. Under daily tough working conditions, the sturdy design, the large hydraulic system and naturally the unique features that make work easier have proven particularly useful. The patented Fixomatic system quite easily holds a log in position. Due to the Autospeed functionality, the HydroCombi then selects the optimum splitting speed depending on the splitting power and thus produces the desired

The timber splitter for individualists is the only one that has the Fixomatic system as a standard and optionally provides other useful features that make your work easier.

metre-long logs quickly and precisely. As a result, the HydroCombi makes everyday work considerably easier. Over 40 different machines of the HydroCombi range fulfil all requirements. Today, the hydraulic firewood splitters are among the most durable units with the longest stable value on the market. They all share the standard Fixomatic system, the tilted splitting knife with integrated rollers and the mechanical log lifting device.

Rope winches for the HydroCombi

Powerful rope winches are convenient aids for wood work. With the POSCH rope winches for all HydroCombis with a splitting power of 16 tons onwards, each log within up to 40 metres is pulled up to the machine without any efforts of your own, and put in the splitting position. The soft start and the gentle lowering functionalities ensure the smooth transportation of heavy logs as well.

Models for every application

With the rope winches 500 and 1000, POSCH offers the ideal solution for a variety of pulling power requirements. All of them are driven hydraulically and are equipped with an automatic rope stop in the stop position. You can freely select the run-out speed on the 1000 rope winch. Cylinder and winch can be lowered to the normal transport height. The rope winch 1000 is also available with remote control upon request.

More intelligent solutions

The optional hydraulic log lifting device is often used instead of the standard mechanical lifting device and easily brings the material to be split in the splitting position. Independently of the splitting hydraulics, the separate hydraulic valve enables gentle lifting and lowering.



The rope winch with optional gripping pliers and radio remote control for the easy transportation of heavy logs.



The rope winch with standard prick punch pulls logs to the HydroCombi even on rough terrain.



The new rope winch 500 (left) with 20 m rope and 500 kg pulling force and the rope winch 1000 with 40 m rope and 1,000 kg pulling force in a direct comparison.

Select the right HydroCombi based on drive type and splitting power

Top performers for metre-long logs

- Splitting power 10–26 t
- Hydraulic oil 18–43 l
- Fixomatic system as a standard
- Max. billet length 110 cm
- Cylinder stroke max. 100 cm



230V
400V



HydroCombi 10 with driving device

HydroCombi 10 & 13

The entry-level hydraulic firewood splitters.

HydroCombi	10	13
Splitting power max. t	10	13
Billet length max. cm	110	110
Cylinder stroke max. cm	100	100
Splitting knife length cm	24	24
Splitting speed max. step 1/2 cm/s	12/32	11/23
Return speed max. cm/s	23	28
Weight min/max kg	310/382	318/390
Drive types	Tractor E-motor combination petrol	E-motor petrol
Details see page	114	114

Optional: special equipment Autospeed for initial orders



400V



HydroCombi 18 PZG-R

HydroCombi 16 & 18

The hydraulic firewood splitters with more power.

HydroCombi	16	18
Splitting power max. t	16	18
Billet length max. cm	110	110
Cylinder stroke max. cm	100	100
Splitting knife length cm	24	24
Splitting speed max. step 1/2 cm/s	11/19	10/19
Return speed max. cm/s	23	19
Weight min/max kg	330/488	374/486
Drive types	Tractor E-motor combination	E-motor combination
Details see page	115	116

New: The compact rope winch with low transport height

Autospeed



Useful accessory equipment

The handy power saw bracket or the suitable lumber pick bracket are available for each HydroCombi.

Details from page 119



Mobile use

Upon request, the right chassis for the HydroCombi is also available with approval for road transportation for petrol/diesel and E-drives.

Details from page 114



▶ Autospeed

HydroCombi 26 E7 with double-stage pump

HydroCombi 20 – 26

The hydraulic firewood splitters for professional applications.

HydroCombi	20	22	26
Splitting power max. t	20	22	26
Billet length max. cm	110	110	110
Cylinder stroke max. cm	100	100	100
Splitting knife length cm	30	30	30
Splitting speed max. step 1/2 cm/s	11/22	11/23	10/23
Return speed max. cm/s	21	20	17
Weight min/max kg	508/574	556/648	616/684
Drive types	Tractor E-motor combination		

Details see page 116 117 117

⚠ Optional: Hydraulic log lifting device



▶ Autospeed

HydroCombi 24 PZG-Turbo

HydroCombi 24 Turbo

The fast vertical splitter with more power.

HydroCombi	24 Turbo
Splitting power max. t	24
Billet length max. cm	110
Cylinder stroke max. cm	100
Splitting knife length cm	30
Splitting speed max. step 1/2 cm/s	11/18
Return speed max. cm/s	42
Weight min/max kg	660/705
Drive types	Tractor E-motor combination

Details see page 117

⚠ Turbo: 2-cylinder splitting system for higher hourly output

⚠ The turbo model: **Double return speed** for increased hourly output

AutoSplit – the automatic splitter for producing kindling

Powerful



5 t

Splitting power max.

Fast



3 sec

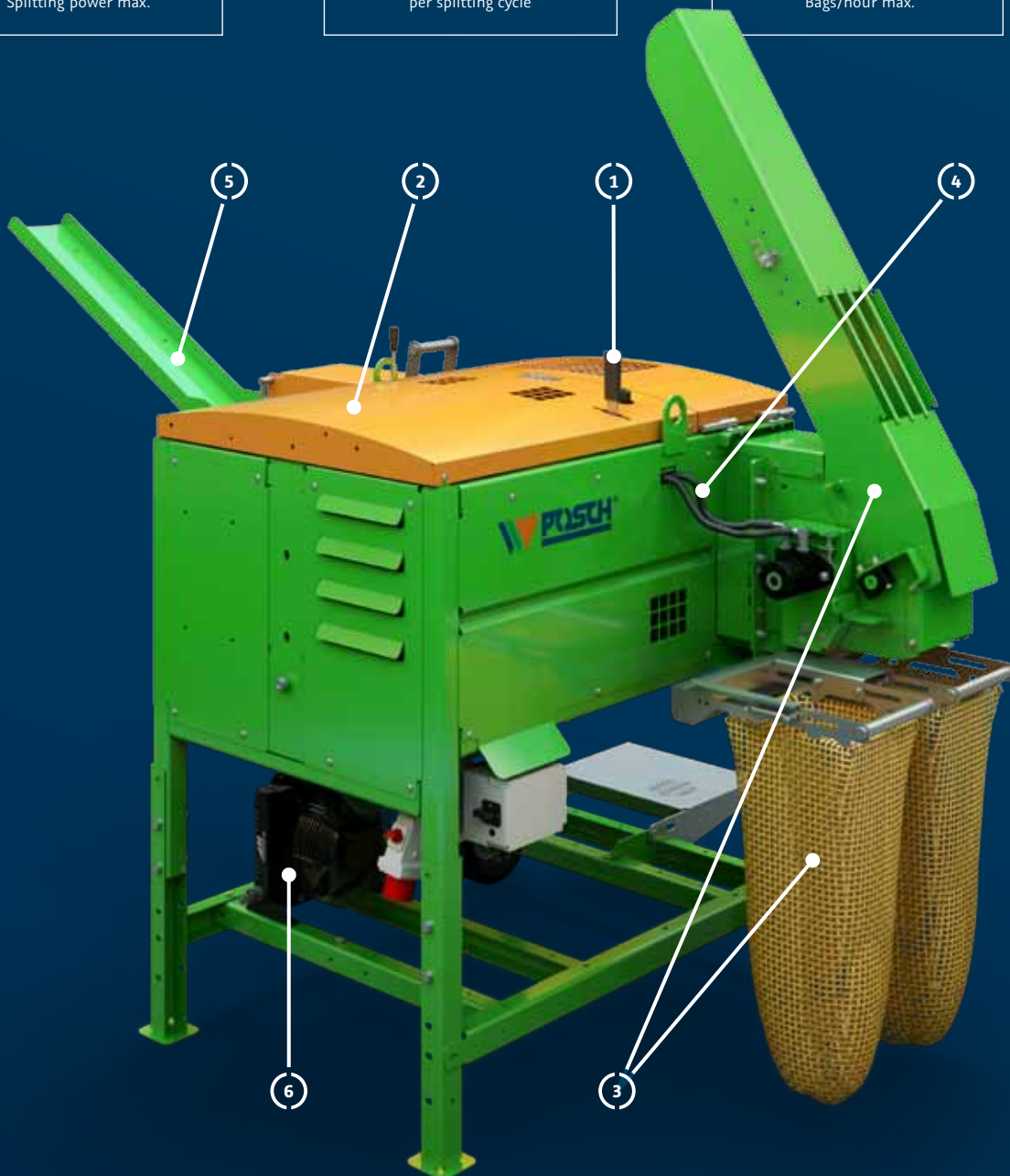
per splitting cycle

Efficient



~ 100

Bags/hour max.



The outstanding splitting concept

Produces and packs up kindling ready for use in one work step



1 Infinitely variable kindling thickness

With the infinitely variable feed of 0 to 18 cm, you can determine the desired billet strength easily and quickly.



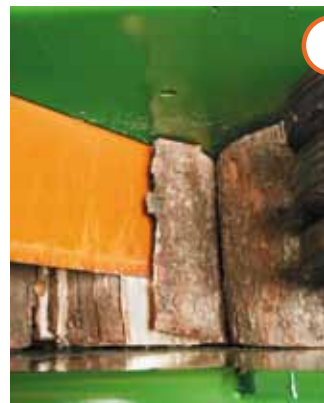
2 Processes round and squared timber

The AutoSplit provides more options for clean timber processing. The automatic machine processes soft round and squared timber of a length between 16 and 20 cm and optionally also processes slabs or boards from the sawmill.



3 The right packaging system

You can opt for loose or stacked packaging, and the AutoSplit delivers the right kindling by the bag



4 Splitting without interruptions

The infeed that is driven purely hydraulically increases operational safety, the spring-borne feeding belt minimises tool wear and strain.



5 Continuous supply of more timber

The long timber feed chute with the practical loading height ensures an optimum and continuous work flow.



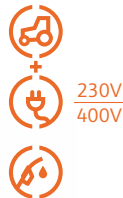
6 Safe continuous operation

The optional oil cooler – standard with the E-model – extends the service life of the machine in continuous operation (from 4 hours). This guarantees a high hourly output for a long period of time.

Produces kindling that is much in demand

Produces kindling in a matter of seconds

- 3-second splitting process
- Produces up to 100 bags/hour
- Processes round and squared timber
- Two solid rubber wheels



AutoSplit petrol engine with packaging chute

Packaging systems for more efficient work flows



Packaging chute

The suitable system for stacked packaging mesh bags.



Packaging frame

The movable double frame for mesh bags with loose packaging.

AutoSplit

The ideal automatic machine for tireless and efficient kindling production.

AutoSplit	250
Splitting power max. t	5
Possible billet lengths cm	12-20
Power max. m³/h	2
Bags max. per hour	approx. 100
Source timber	Round and squared wood, boards or slabs
Packaging type	loose or stacked
Drive types	Tractor E-motor combination petrol
Details see page	121

Single blade for boards and slabs available.



Experience a AutoSplit
in action at:
[www.posch.com/en/
AutoSplit](http://www.posch.com/en/AutoSplit)

Produces kindling in next to no time

Transforms scrap wood in profitable kindling

Every three seconds, the V-shaped splitting knife splits round or squared timber into kindling that is ready for use, and delivers it neatly stacked in mesh bags.

Upvalues short pieces of timber considerably

Use the AutoSplit 250 to process timber into kindling that is high in demand in next to no time. Load the timber feed chute with the pieces of wood and adjust the desired billet strength steplessly, and the AutoSplit takes care of the rest fully automatically. Every three seconds, the V-shaped knife splits the source material, and the packaging chute or the packaging frame delivers kindling either stacked in bags or loose as desired. For ergonomic working, the working height can be adjusted directly on the rack.

For the ideal processing of short timber

As a standard, the AutoSplit 250 processes timber of a length between 16 and 20cm and can also be equipped with an additional short-timber option upon request. Round timber with a diameter of up to 25 cm and



Mesh bag left
with kindling
packed up loose
and right
packed up
stacked.

squared timber with a side length of up to 20 cm are preferentially processed by the AutoSplit. With the optional single blade, you can also turn short boards or slabs into kindling and utilise scrap wood from sawmills.



Cutting with true precision

POSCH saws and automatic sawing machines make the processing of any volume of firewood easy.

The portfolio of high-quality machines ranges from mechanical saws for the smooth cutting of firewood or neat longitudinal cutting to the semi-automatic EasyCut and the fully automatic SmartCut.



Tilting table saw

The dual-purpose unit for professionals
see page 38



Roller-bench saw

For more convenience
see page 39



Tilting saw

The classic
see page 40



EasyCut

The semi-automatic saw
see page 48



SmartCut

The fully automatic saw
see page 52

Tilting table saw

Efficient



24 cm

Cutting diameter max.

Compact



210 kg

Weight min.



1 Easy switching from lengthwise to firewood cutting



Thanks to the convenient unlocking mechanism, you can switch the saw from the bench to the tilted position and thus switch from lengthwise to firewood cutting in just a few seconds.

2 Special rocker structure for improved safety



The design of the rocker prevents billets from turning so that the saw blade cannot get stuck.

3 Easy-to-use rocker for more ergonomic working



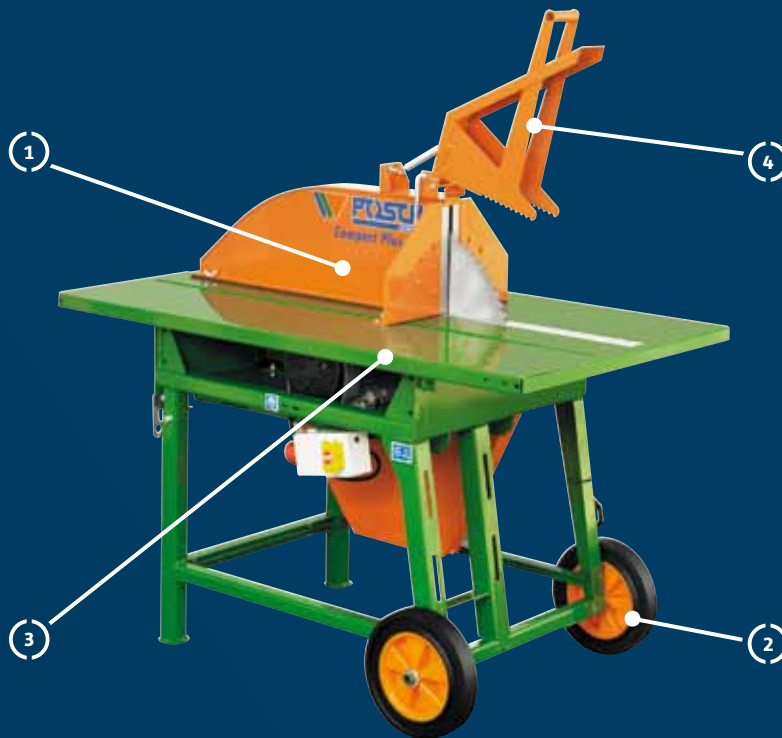
The rocker is easy to use and extremely sturdy at the same time. It can be optimally adjusted to the operator by means of the height-adjustable handle.

4 Easier transportation to the work site



With the large, standard solid rubber wheels and the handy transport handles, the table tilting saw can easily be moved by hand. The models with PTO drive and three-point linkage comprise a transport aid as standard.

Roller-bench saw



Efficient

24 cm
Cutting diameter max.

Compact

167 kg
Weight min.

CUTTING

1 Optional lengthwise cutting possible



The lengthwise cutting option that is available as accessory equipment turns the roller-bench saw into a handy dual-purpose unit within a few minutes.

2 Ready for action everywhere on your farm



The roller-bench saw can easily be transported to the work site. More light-weight models are equipped with large solid rubber wheels as standard. The PTO drive model with three-point linkage comprises a transport aid.

3 Large saw bench for safe support



Material to be cut and even boards can be kept safely on the large 150 x 85 cm support table. The improved support also ensures straight and precise cutting.

4 Less force required for cutting



The easy-to-use, ball bearing mounted table guide ensures optimum ease of use. Every billet is easily passed through the saw blade and returns to the initial position in a flowing movement.

Tilting saw – the sturdy and easy-to-use classic

Efficient



24 cm

Cutting diameter max.

Compact



147 kg

Weight min.



Safe and fast cutting

All-steel design for particularly long service life

CUTTING



1 Easy-to-use rocker with ergonomic handle

The ball bearing mounted rocker is easy to use and very stable at the same time. It can be optimally adjusted to the operator by means of the height-adjustable handle.



2 Special rocker shape for smooth cutting

The design of the rocker prevents billets from turning so the saw blade cannot get stuck. The integrated log length display on the GS model helps you to cut precisely dimensioned billets in a safe and consistent manner.



3 Easier transportation to the work site

The large solid rubber wheels make transportation of the tilting saw really easy. The models with PTO drive and three-point linkage comprise a special transport aid as standard.



4 A handle for more safety

The optional safety handle prevents you from touching the saw blade by mistake, the danger area is covered.



5 Sturdy and compact design

The high-quality all-steel design copes with any volume of firewood, and combined with the V-belt drive models, it ensures an optimum cutting speed and a higher hourly output.



6 Safe positioning with integrated brake

The brake fixes the tilting saw while in operation and firmly holds the wheels accordingly. Of course, it can be released again quickly and the tilting saw can be moved easily.

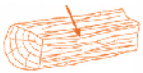


Experience POSCH saws
in action at:

[www.posch.com/en/
Cutting](http://www.posch.com/en/Cutting)

Safe and faster cutting

The mechanical saws from POSCH



Measuring wood moisture

The residual moisture of firewood is measured in the core of a billet. Ideally, the billet is split in the middle right before measuring.

POSCH circular saws fulfil the most exacting requirements as saws used just for firewood cutting, for trimming boards or for precise lengthwise cutting.

Our saws are built for generations. And because you will not have to buy a new saw any time soon, it is all the more important for you to carefully consider the possible applications before buying one. You can opt for a tilting table saw, a roller-bench saw or a tilting saw. All saw types have the sturdy design in common. The chromium alloy saw blade with a diameter of 70 cm cuts firewood up to 24 cm. The large solid rubber wheels with a diameter of 30

For particularly long sawing times and reduced noise levels, the WIDIA high-performance saw blades are your first choice.

cm or the three-point linkage enable convenient transportation, and you can start working fast. The tilting versions ensure additional safety during the cutting process. For example, the design of the easy-to-use rocker prevents the wood from turning. And the height-adjustable rocker handle ensures optimum ergonomic conditions for users of any height.

Switching from firewood to lengthwise cutting in only a few seconds

Dual-purpose professional table tilting saw

The standard lengthwise cutting functionality makes this circular saw the ideal tool for fast firewood processing and neat lengthwise cutting. The handy table unlocking mechanism lets you switch from one function to the other in only a few seconds.

In addition, the V-belt drive models provide for an optimum cutting speed and an increased cutting performance.



The table tilting saw enables precise cutting in the lengthwise cutting position on the tractor.

Faster and safer cutting

Easy-to-use roller-bench saw

The ball bearing mounted bench guide of the machine ensures optimum ease of use and fast firewood production. The large bench that safely supports the wood and the integrated safety feature make sure that the billets are passed through safely.

Upon request, the roller-bench saw can be upgraded into a dual-purpose unit with lengthwise cutting functionality, and so can also be used for trimming and cutting boards.



Easy-to-use, ball-bearing mounted table guide for optimum ease of use.

Easy-to-use firewood cutting with ball bearing mounted rocker

Sturdy and safe tilting saw

With every movement, this saw produces firewood of the desired length from logs. With the direct drive or the smoothly running V-belt drive, it consistently does a good job in continuous operation as well, and its compact all-steel design guarantees a long service life of the machine. The optionally available safety handle provides for more safety without decreasing the speed. The danger area is covered completely, which prevents you from reaching into the saw blade.

⚠ Order right now:

The safety option for tilting saws.



The height-adjustable rocker handle ensures optimum ergonomic conditions for users of any height.

Rely on the best principle for each step

The ideal circular saw for each application

- Lengthwise or firewood cutting
- Chromium alloy or WIDIA saw blade 70 cm
- Direct or V-belt drive
- Movable on solid rubber wheels \varnothing 30 cm



Table tilting saw TWE 5,5 direct drive

Tilting table saw

The all-round circular saw for private households and farms.

Tilting table saw

Function	Firewood cutting and lengthwise cutting	
Saw blade	Chromium alloy 70 cm as standard	
Cutting diameter max. cm	24	firewood cutting
	21.5	lengthwise cutting
Weight min/max kg	210 / 325	
Transportation	Solid rubber wheels \varnothing 30 cm	
Drive types	Tractor E-motor	combination petrol

Details see page 123

V-belt models offer higher cutting capacity.



Roller-bench saw RE 5,5 V-belt drive

Roller-bench saw

The firewood saw with lengthwise cutting option.

Roller-bench saw

Function	Firewood cutting and optionally lengthwise cutting	
Saw blade	Chromium alloy 70 cm as standard	
Cutting diameter max. cm	24	firewood cutting
	21.5	lengthwise cutting
Weight min/max kg	167 / 296	
Transportation	Solid rubber wheels \varnothing 30 cm	
Drive types	Tractor E-motor	combination

Details see page 123

Optional lengthwise cutting feature for fast conversion.

Order right now:

WIDIA circular saw blade with 84 teeth for a 50% increase in cutting power for hardwood and considerable noise reduction.

Details from page 123 onwards



More safety and ease of use with the innovative EasyCut cutting principle

This saw with the automatic timber feed makes firewood processing considerably more convenient and delivers finished billets ready for the stove via the conveyor belt. Discover all of the benefits of this new sawing principle from page 48 onwards.



400V



Tilting saw with direct drive

Tilting saw

The sturdy firewood saw with rocker.

Tilting saw

Function	Firewood cutting
Saw blade	Chromium alloy 70 cm as standard
Cutting diameter max. cm	24 firewood cutting
Weight min/max kg	147 / 262
Transportation	Solid rubber wheels ø 30 cm
Drive types	Tractor E-motor combination petrol

Details see page 124

NEW! Protective cover now also available as retrofitting kit.

The best drive variants for every set of requirements



Direct drive

Saw blade mounted on the motor shaft with direct transmission of the motor power to the saw blade.



V-belt drive

For optimum cutting speed, increased cutting performance and less required force. The motor is connected with the saw blade by means of the V-belt and is overload-protected.



PTO drive

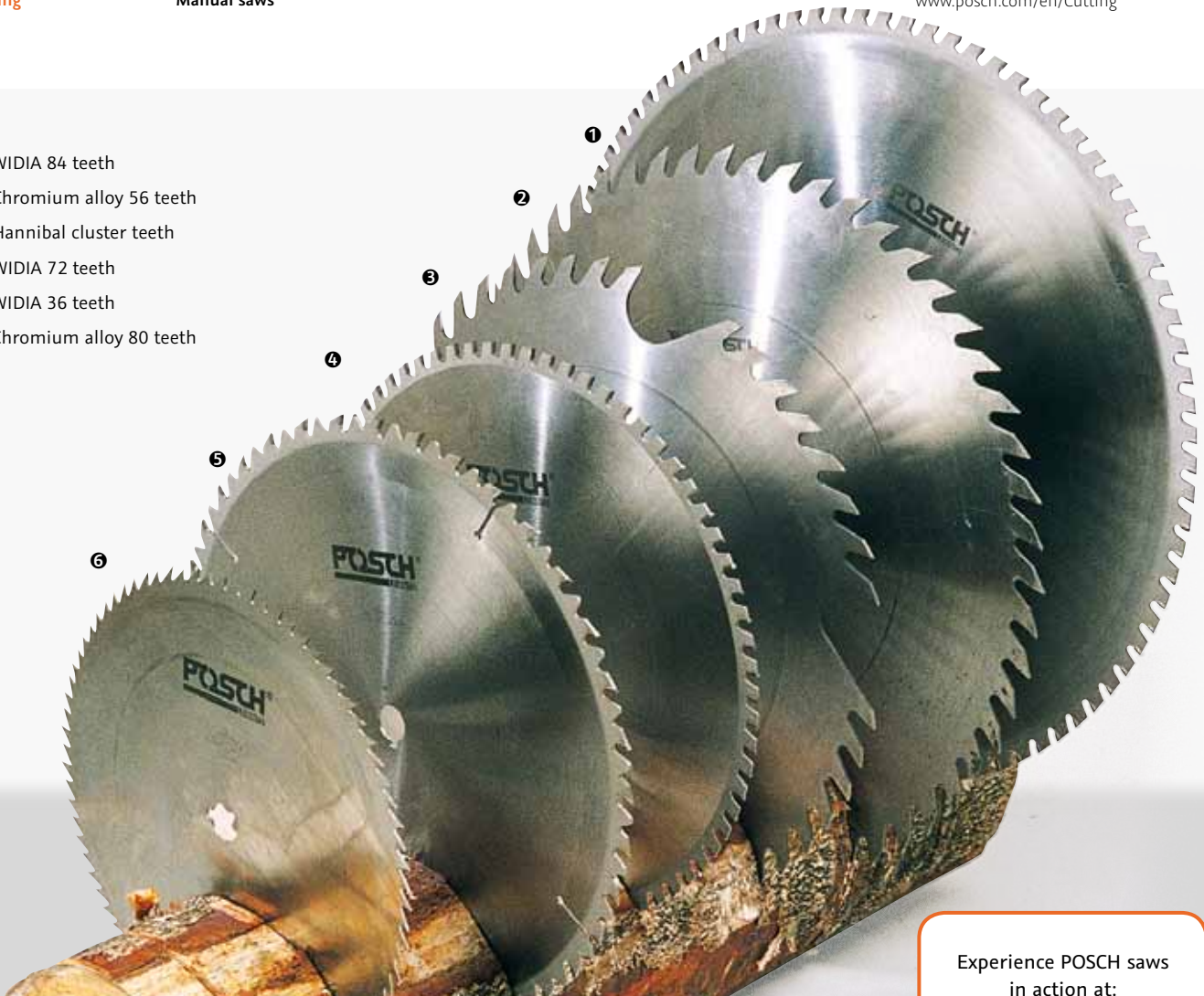
With tractor drive alone or in combination with an E-motor, this variable solution also works independently of the power supply.



Petrol engine

Driven by a V-belt via the 4-stroke petrol engine, this multi-purpose solution constitutes a powerful unit that can be used independent of the power supply.

- ❶ WIDIA 84 teeth
- ❷ Chromium alloy 56 teeth
- ❸ Hannibal cluster teeth
- ❹ WIDIA 72 teeth
- ❺ WIDIA 36 teeth
- ❻ Chromium alloy 80 teeth

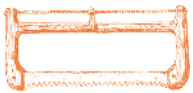


Experience POSCH saws
in action at:

[www.posch.com/en/
Cutting](http://www.posch.com/en/Cutting)

Cutting with reduced noise for longer periods of time

Saw blades for more power and longer service life



Saw made of steel

As early as in the 15th century, the first metal saws were used instead of axes by lumberjacks in Central Europe.

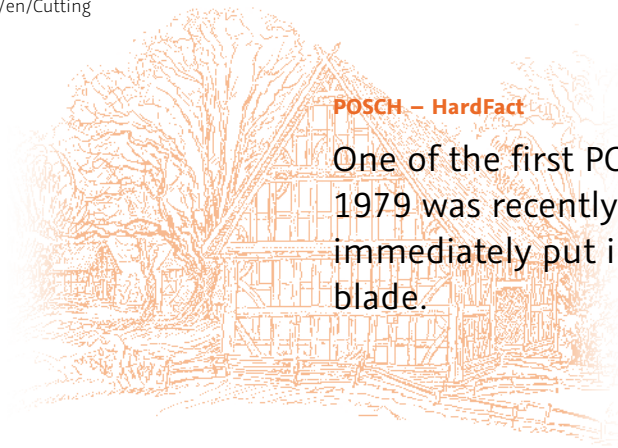
You can opt for the high-quality chromium alloy standard saw blade, the special WIDIA saw blade for a longer useful life or the lengthwise cutting profile with Hannibal teeth.

POSCH circular saws are equipped with a chromium alloy 70 cm saw blade ^❷ as standard. For heavy-duty use and long cutting hours, we recommend our special WIDIA hard metal saw blades ^❶^❹^❺ that make less noise and have a longer useful life. The higher the number of saw teeth, the less wear on every tooth, and the easier the cutting process. Compared to chromium alloy saw blades ^❷, they work

Easier cutting, increased durability and less noise thanks to the high-quality WIDIA hard metal saw blades.

much more quietly while requiring less power and in addition increase the cutting time 8 to 10 times because they have to be sharpened less often. For precise lengthwise and split cuts, we recommend a Hannibal saw blade ^❸ that delivers best results even with less engine power.

The cluster-toothed saw teeth are self-cleaning due to their configuration and so ensure clean cuts.



POSCH – HardFact

One of the first POSCH tilting saws from the year 1979 was recently discovered in a barn and was immediately put into operation with a new saw blade.

Fast and safe working with the safety handle



Danger area safely covered

The safety handle provides for an ideal combination of high working speed and maximum safety during firewood cutting with the tilting saw. The optionally available safety package prevents you from accidentally reaching into the saw blade while cutting.



Safety handle with ergonomic height adjustment

Tilting saw extension for a secure hold

Cutting longer billets

The tilting extension with rollers makes sure that even long billets can be held safely. It is available as accessory equipment for the tilting saw and the table tiling saw and can then be used any time you need it. A billet can easily be transported to the next step with the rollers.



Saw with tilting extension

Comfortable working with the hip roller

Less force required

The new hip roller on the POSCH tilting saw provides for a particularly ergonomic use of the circular saw and is a relief for your arms.



The hip roller in action for effortless cutting

EasyCut – the semi-automatic firewood saw



Efficient



20 cm

Cutting diameter max.

Compact



570 kg

Weight min.

Fast



3-6

m³/hour

Precise and safe cutting with the compact EasyCut.

Makes handling convenient and your work easier.



1 Automatic timber feed with patented longitudinal stop

The gravity feed in combination with the integrated, undulated and patented longitudinal stop consistently produces billets of the desired length and can easily be adjusted without tools.



2 Ball bearing mounted timber trough for energy-efficient working

Thanks to the ball bearing mounted timber trough with end position dampening on both sides, the EasyCut also cuts large volumes of timber smoothly, safely and very energy-efficiently, and so offers optimum ease of use.



3 Clean cuts and more safety due to fixed timber

The automatic timber clamp keeps a billet safely fixed during the cutting process and so guarantees fast and safe working without any problems.



4 Cutting without any risks

Touching the saw blade while working is not possible, and so the innovative sawing principle does not only guarantee easy handling and smooth operation, but also maximum safety.



5 Ergonomic working with optimum feeding height

Operation of the EasyCut by one or two people is back-friendly and easy. With the feed height for metre-long billets of 85 cm, you can work in an ideal and very effort-saving manner over longer periods of time as well.



6 Cutting and loading in one work step

The EasyCut with the integrated telescopic conveyor belt saves time with billet handling. The finished billets can quickly be loaded automatically via the hydraulically driven conveyor belt of a length of up to 5 m, the inclination can be adjusted to the respective task.

Innovative concept for safe cutting

The firewood saw with automatic feed

- Fast cutting thanks to ball bearing mounted timber trough with end position dampening
- Precise cutting length thanks to the incremental timber stop
- Automatic timber clamp and high-quality WIDIA circular saw blade
- V-belt drive for optimum speed and cutting power



EasyCut 700 in transport position

EasyCut

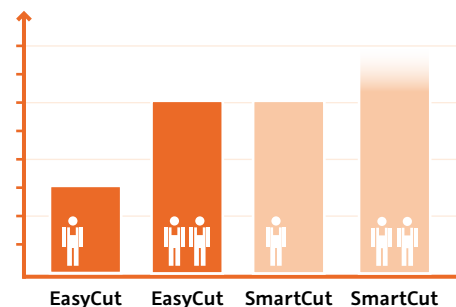
Cutting firewood with automatic timber feed.

EasyCut

Mode of operation	Semi-automatic
Saw blade	WIDIA 70 cm
Cutting diameter max. cm	20
Billet length max. cm	120
Weight min/max kg	570 / 700
Transportation	Three-point linkage
Possible annual output m³	250
Drive types	🚗 Tractor 🏠 E-motor 🏠🚗 combination
Details see page	127

⚠️ The safe and fast sawing principle of the future.

Hourly output of automatic saws



High-quality WIDIA circular saw blade

ø 70 cm for max. cutting diameter 20 cm (billet quality D15/D20) with timber trough



Experience the EasyCut
in action at:
[www.posch.com/en/
EasyCut](http://www.posch.com/en/EasyCut)

The principle that makes sawing easier

Increased cutting power thanks to automatic feed and precise longitudinal stop

Enjoy the outstanding benefits of a new sawing principle that lets you process firewood in a precise and safe way.

Save time at work

The operation of EasyCut provides a considerable advantage in terms of speed. The patented, undulated stop lets you adjust the desired billet length without tools in just a few steps. For subsequent operation, the timber to be cut is put in the ergonomic timber trough and automatically glides up to the stop.

One operator or two operators

The ball bearing mounted, and thus particularly smooth-running timer trough with end position dampening, lets the timber glide into the high-quality WIDIA saw blade. After cutting, the remaining timber glides up to the stop, and the procedure is repeated effortlessly. The finished billets are loaded right away by means of the conveyor belt, without any further handing.

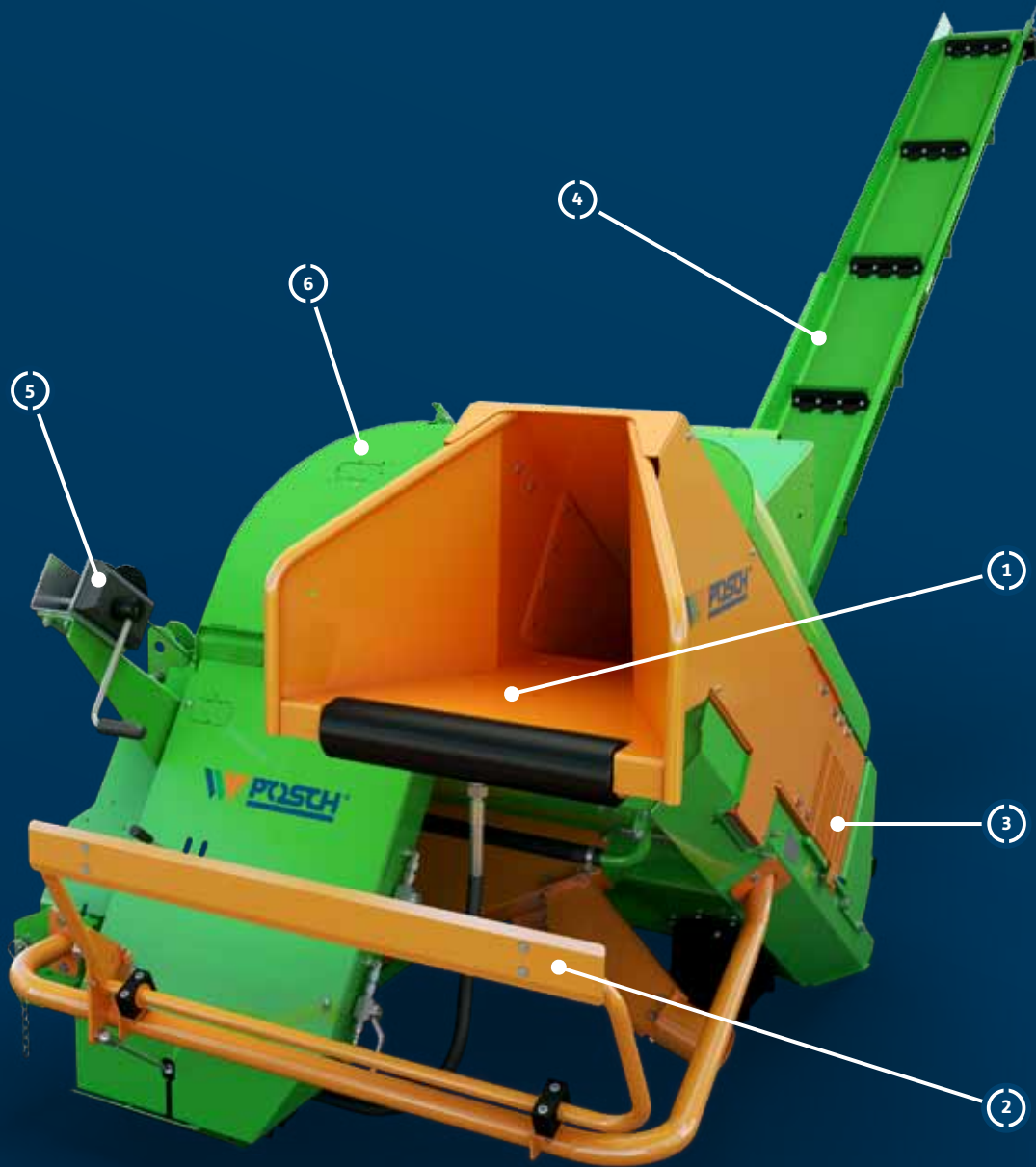
Keeps your hands out of the danger zone

The EasyCut combines a maximum of speed and safety. Your hands are safely kept away from the saw blade as the new, automatic timber clamp fixes the billet during the cutting process. This prevents wedging or kickback from the very start.

The new principle for sawing

The manually activated firewood saw with automatic gravity feed cuts billets and round timber with a diameter of up to 20 cm (billet quality D15/D20) and provides for more ease of use and ergonomic functionality. The EasyCut can be operated by one or two people, which increases the cutting capacity – depending on the desired length – to 3–6 cubic metres.

SmartCut – the fully-automatic firewood saw



Efficient



20 cm

Cutting diameter max.

Compact



750 kg

Weight min.

Fast



4-8

m³/hour

Produces 500 cubic metres per year

Energy-efficient due to user-friendly timber feeding



1 Ergonomic infeed height for billets

With the SmartCut you can work ergonomically without having to bend over. It takes up the logs at a level of 100 cm and then processes them fully automatically into billets of the desired length.



2 EasyStop for stress-free loading

For user-friendly loading, you can easily stop the timber trough fully automatically by means of the EasyStop bracket. As soon as you let go of the bracket, the SmartCut automatically continues the fully automatic cutting process.



3 More ease of use due to tool-less adjustment

The integrated longitudinal stop can easily be adjusted to the desired billet length without tools and so delivers billets of the precisely right length step by step.



4 Cutting and loading in one work step

The SmartCut with the integrated telescopic conveyor not only save you time during the cutting process. It automatically loads the finished billets via the hydraulically driven conveyor belt that is up to 5 m long.



5 Ideal conveyor belt inclination for any task

The adjustable inclination of the conveyor belt makes loading even easier. With the easy-to-operate crank, or hydraulically from a conveyor belt length of 5 m and up, you can easily adjust the inclination between 25° and 35°.



6 Compact design for easy transportation

The SmartCut has been designed in such a way that it is ready for use as quickly as possible, anywhere. The compact design for transportation with the three-point linkage lets you transport the folded SmartCut everywhere.

Get more work done on your own

The fully automatic key player

- Stress-free loading and automatic cutting
- Uniform cutting length due to incremental timber stop
- Hydraulic timber trough with timber clamping device
- V-belt drive for optimum speed and cutting capacity



SmartCut 700 in transport position

SmartCut

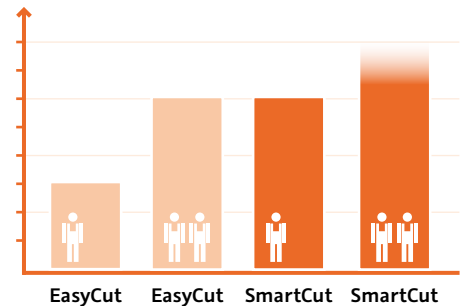
Fully automatic firewood saw with convenient charging mechanism.

SmartCut

Mode of operation	Fully automatic
Saw blade	WIDIA \varnothing 70 cm in reinforced design
Cutting diameter max. cm	20
Billet length max. cm	120
Weight min/max kg	750 / 920
Transportation	Three-point linkage
Possible annual output m³	500
Drive types	Tractor combination
Details see page	128

Automatic start with SensoStart system

Hourly output of automatic saws



Chip extraction blower

A powerful blower extracts the wood chips that are produced, thus keeping the workplace clean.

Even more user-friendly upon request

- The optical sensors of the SensoStart system determine whether there is a billet, and automatically starts the cutting process.
- The hydraulic adjustment of the three-point linkage by 30 cm makes road transportation easier with reduced protrusion.



Experience the fast machine in action at:
www.posch.com/en/SmartCut

The more intelligent principle for sawing

Easy feeding at a comfortable working height

The intelligent sawing concept of the SmartCut makes operation by one person particularly efficient, convenient and safe.

The fully automatic firewood saw cuts firewood or round wood at an impressive speed. At intervals of 2.4 seconds, the fully automatic timber trough moves and so produces up to 8 cubic metres of billets per hour, with the right cutting length and billet size. Feeding is extremely easy. The fully automatic trough is stopped with the EasyStop. The operator slides the material to be cut in the timber trough at an ergonomic height. The SmartCut does the rest in one work step and automatically ejects the billets, cut to the desired length, by means of the conveyor belt.

Stress-free cutting with the SmartCut

Copes with every challenge

For smooth operation, the SmartCut is equipped with a high-quality WIDIA saw blade that was specially developed with a reinforced design for fully automatic circular saws. In addition to that, a number of useful supplementary functions makes sure that firewood processing is continued without any interruptions. Gravity makes the remaining log slide back to the pre-set longitudinal stop, and the SmartCut cuts the next piece. The switch-over delay makes working with log lengths over 33 cm easier.



High-powered split cutting

A POSCH split cutter turns whole logs into neat billets and makes firewood processing really profitable.

We produce robust and value stable solutions, ranging from moveable all-purpose units to firewood production lines with an extraordinary hourly output.



SpaltFix S-280

Log diameter
max. 28 cm

SpaltFix S-360

Log diameter
max. 35 cm

from page 58
onwards



SpaltFix K-440

Log diameter
max. 45 cm

SpaltFix K-540

Log diameter
max. 55 cm

SpaltFix K-550

Log diameter
max. 55 cm

from page 66
onwards



SpaltFix K-600 Vario

Log diameter
max. 60 cm

SpaltFix K-650 Vario

Log diameter
max. 65 cm

from page 74
onwards

SpaltFix S-280 | S-360

The split cutter with WIDIA circular saw

Efficient



35 cm

Log diameter max.

Powerful



12 t

Splitting power max.

Fast



20 loose m³/h

Loose cubic metres per hour

The centre of attention: SpaltFix S-360

The incredibly powerful multi-purpose solution

1 Turns logs into billets

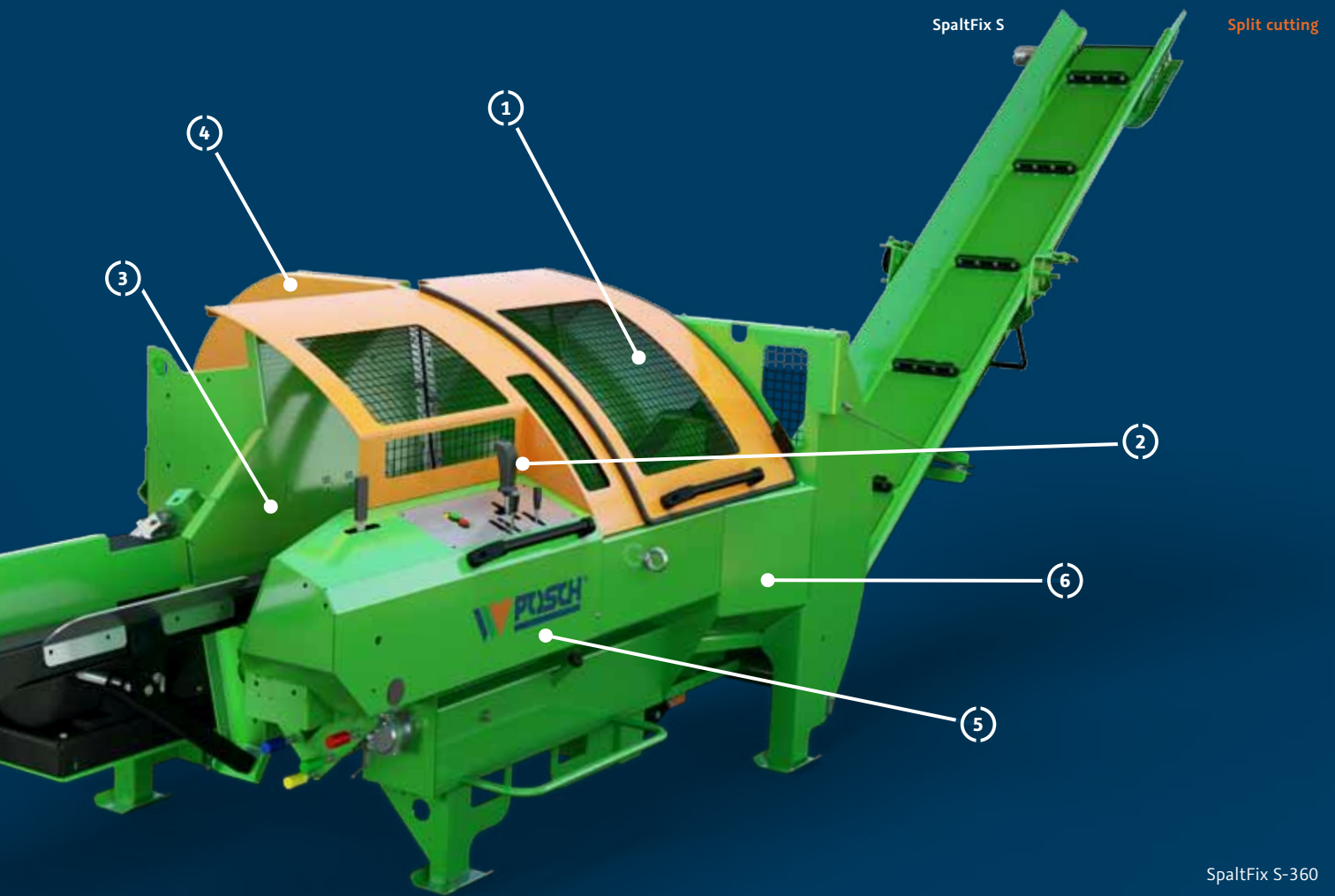


Saves a considerable amount of time in firewood processing: The SpaltFix cuts, splits and loads in one work cycle. Per splitting cycle, a maximum of 8 billets are possible.

2 Easily controlled via joystick



As soon as a log has reached the SpaltFix, the cutting and splitting process can be controlled safely and easily by means of the joystick.



3 Autospeed  for faster splitting



With Autospeed, the SpaltFix always selects the optimum splitting speed depending on the splitting process, and it is characterised by a particularly fast splitting and return speed. The hydraulic clap and the automatically released timber stop prevent jamming.

5 Compact dimensions for easy transportation



Thanks to the three-point linkage, the SpaltFix is ideally equipped for demanding field applications. Within a short period of time, it can be switched from the transport to the work position and so is ready for action immediately.

4 Powerful WIDIA saw blade



For an increased cutting performance and a longer service life, a reinforced WIDIA saw blade with a diameter of up to 90 cm is installed. This guarantees a less noisy and more powerful cutting process.

6 OnlyCut system on S-360



The SpaltFix S-360 can also be used as a high-performance saw without a splitting knife. The splitting knife can be removed in only a few steps, and then the unit produces the desired sawn timber in a short period of time. Short sections, for example, can be processed into kindling in the Autosplit (see page 32).

Cutting and splitting in one work step

The compact split cutters

- For max. 8 billets of a length of up to 50 cm
- Max. log diameter up to 35 cm
- Splitting power up to 12 t with Autospeed ▶
- Timber holder and high-grade WIDIA circular saw blade



SpaltFix S-360

SpaltFix S-280

The semi-automatic, manually operated split cutter

SpaltFix	S-280
Log diameter max. cm	28
Billet length max. cm	50
Number of billets max. per cycle	6
Splitting power t	10
Splitting speed max. cm/s	16/34
Return speed max. cm/s	31
Sawing system	WIDIA saw blade ø 70 cm
Transportation	Three-point linkage
Control system	mechanical/hydraulic
Drive	🚗 Tractor 🔌 E-motor
Details see page	132

⚠ Smooth working with optional lifting longitudinal stop.

SpaltFix S-360

The powerful, joystick-operated split cutter

SpaltFix	S-360
Log diameter max. cm	35
Billet length max. cm	50
Number of billets max. per cycle	8
Splitting power t	12
Splitting speed max. cm/s	22/47
Return speed max. cm/s	42
Sawing system	WIDIA saw blade ø 90 cm
Transportation	Three-point linkage or longitudinal chassis
Control system	mechanical/hydraulic
Drive	🚗 Tractor 🔌 E-motor ⚙ Diesel
Details see page	132

⚠ Faster split cutting with professional charging.



Experience the SpaltFix S-280 in action at:
www.posch.com/en/SpaltFix-S-280

The SpaltFix S-280

Easy cutting, splitting and loading

The semi-automatic SpaltFix S-280 is a compact unit that turns whole logs into billets.

The S-280 is the entry-level model for split cutting from POSCH. It processes logs with a diameter of up to 28 cm in max. 6 billets of a length of up to 50 cm. Safety and user friendliness are the focus of attention here. With the ergonomic manual control system with manual saw advance, the mechanical timber clamp and the saw blade can be operated with ease. The height of the splitting knife can easily be adjusted with the crank and can so be adapted quickly to a different log thicknesses.



The core of the SpaltFix S-280 with timber downholder, saw blade, adjustable timber stop and splitting knife.



Experience the SpaltFix S-360 in action at:
www.posch.com/en/SpaltFix-S-360

The SpaltFix S-360

Cutting, splitting and loading with the mobile all-rounder

The SpaltFix S-360 is the ideal companion with more power for processing whole logs into billets.



Oldest tree

The Old Tijkko, a spruce in Dalarna (Central Sweden), is considered the world's oldest tree. 9550-year-old roots were found under it.

The S-360 offers an ideal combination of performance and manoeuvrability. Its outstanding technology fulfils many requirements of professional timber processing. In one work cycle, logs with a diameter of up to 35 cm are split into eight same-size billets that are immediately passed on to the loading station via the conveyor belt. The SpaltFix S-360 makes timber processing as easy as possible.

Easily increase your firewood production with the split cutter.

It is not surprising that it has become one of the most popular POSCH machines in a very short period of time. Users who have experienced the benefits first hand would never want to go without the exceptionally convenient firewood processing technique, the high hourly output and the premium processing quality.

Ideally suited for cooperatives and firewood producers

In continuous operation, the S-360 convinces with its consistently great performance. The hydraulic advance transports the timber to the high-grade WIDIA circular saw blade via the conveyor belt. The hydraulic clamp and the automatically released timber stop prevent timber from jamming during the cutting process. A conveyor belt that slants to the rear optimises the cutting cycle and ensures a high cutting performance even with smaller log diameters. Also included as standard: the user-friendly joystick control for the hydraulic drives for log supply, saw blade and splitting unit.

The S-360 offers you more options

For a precise splitting process, the hydraulic splitting knife adjustment quickly adjusts the knife to the right height. You can easily change push-on knives to produce 4, 6 or 8 billets. In addition, the S-360 also works as an OnlyCut system. As standard, the splitting knife unit can be removed in only a few steps, and then the SpaltFix can be used as a high-performance saw.

SawControl for automatic monitoring of rotational speed of saw blades

In order to avoid load peaks and the resulting overload for the tractor, SawControl is also available as an option. It is operated via the 12-V voltage supply of the tractor or E-drive and is equipped with an integrated hour counter.



The core part of the SpaltFix S-360



Longitudinal chassis makes the SpaltFix roadworthy

The tractor chassis for the S-360 is available in two different designs. Without brakes, it can be used on your own private property with up to 10 km/h. Please observe the national road traffic acts in Europe that partially allow the operation of an agricultural or forestry trailer not approved for traffic on public roads (without brake system with a speed limit) under certain conditions. The tractor chassis for up to 25 km/h with overrun brake and lights can also be approved for road traffic.

The SpaltFix S-360



Experience the SpaltFix
in action at:
[www.posch.com/en/
SpaltFix](http://www.posch.com/en/SpaltFix)

Optimum charging for increased hourly output

The ideal procedure for each application

The right log supply is critical for efficient firewood processing. Depending on the log length, you can choose from different options here.

Loneliest tree

The Arbre du Ténére, an umbrella thorn tree standing in the middle of the Ténére desert (Niger), was an important point of orientation and the only tree in a radius of 400 kilometres. It was knocked over by a truck in 1973.

The optional log support trestle with lifting device lifts the individual logs of max. 2 m and a diameter of up to 30 cm from the ground to processing height and gets them ready for utilization. The log support trestle is simply connected to the hydraulic system, it is easy to transport, and your SpaltFix can easily be used for split cutting in

**Work faster and more efficiently
with the right charging systems
for 2- to 5-metre logs**

different locations. The longitudinal and cross conveyors for logs of a length of up to 2 to 5 metres, available in a variety of different designs, make the SpaltFix more efficient. The chain conveyors are available in different lengths, the sturdy chain with drivers on maintenance-free plastic guides ensure the safe feeding of logs.



POSCH – HardFact

The first machine for cutting, splitting and loading firewood was called Scheitermat.

The cross conveyors can, as a log support system, also easily handle bent logs or bad wood quality and keep the desired number of logs for further processing available.

The flexible solutions fulfil the most exacting requirements and are available in different lengths. The individually customised combination of chain conveyor and cross conveyor always makes sure that logs are available for the next work step, and more firewood per hour is produced on a consistent basis.

Cleaning and packing up

After cutting and splitting, the PackFix system is the ideal packaging solution for the firewood billets. The filling drum delivers a finished pack of billets that can be transported, stored or naturally also sold immediately.



SPLIT CUTTING



Log conveyor system with chain conveyor



Constant supply thanks to the log conveying system, comprising 1 cross conveyor and 2 chain conveyor.

SpaltFix K-440 | K-540 | K-550 split cutting for professionals

Efficient



55 cm

Log diameter max.

Powerful



41 t

Splitting power max.

Fast



18

Billets/work cycle max.



The centre of attention: SpaltFix K-540

Great output in one work cycle

1 User-friendly joystick operation

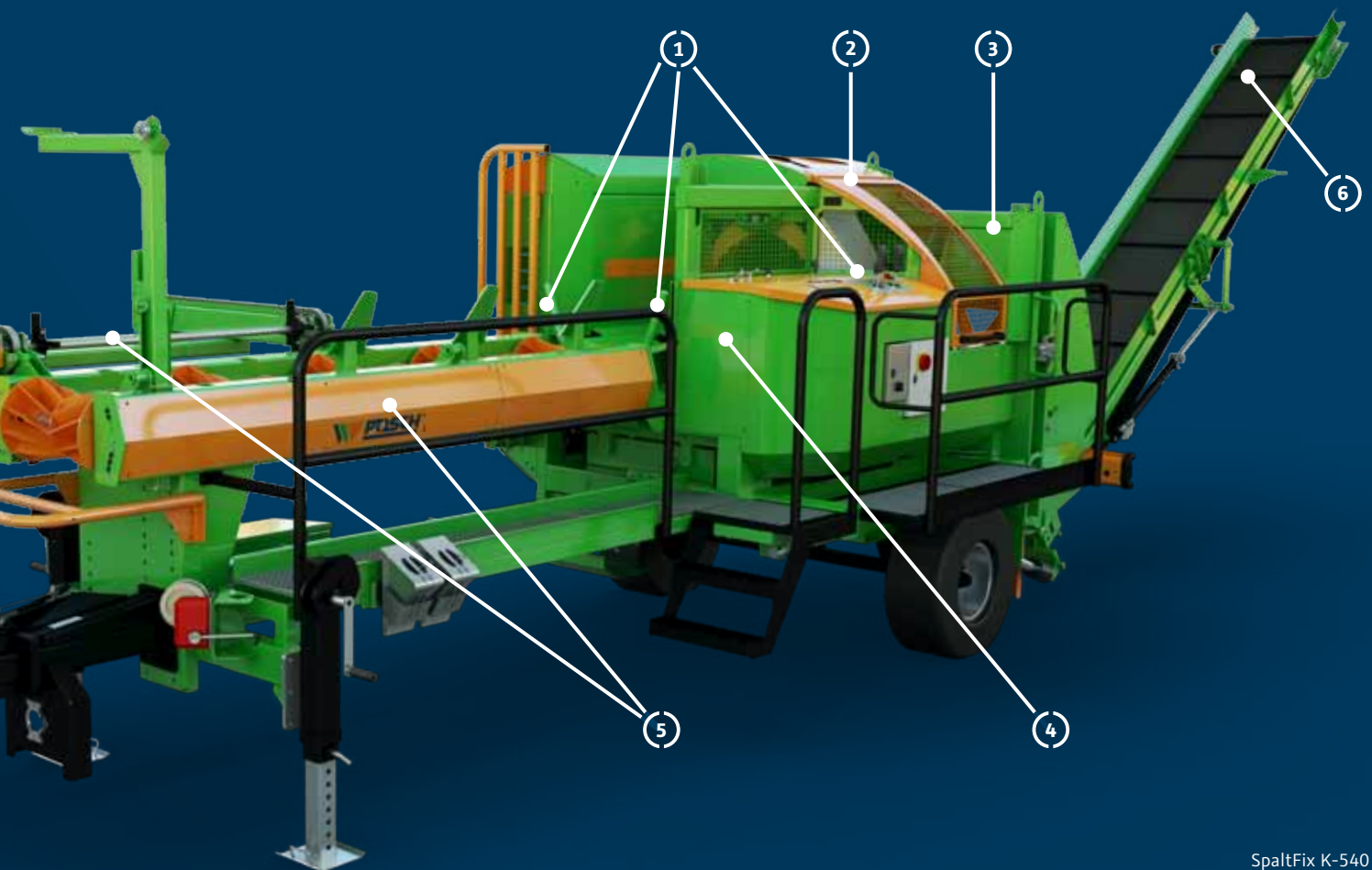


With the 2-hand joystick on the clearly structured control panel, it is easy to control all processes. The log manipulator is used to put the logs in the right position before processing.

2 SuperCut Harvester saw for fast and safe cutting



Thanks to the hydraulic chain and blade tensioning and the hydraulic double gripper, the SuperCut saw ensures safe and fast cutting up to log diameters of 55 cm.



SpaltFix K-540

3 Same-size billets without knife change



The hydraulically adjustable 3-in-1 special knife produces optimum results with every log diameter. In that way, the machine produces up to 18 same-sized billets per work cycle.

5 Continuous charging for more power



The roller conveyor and the timber manipulator ensure a constant processing speed. Combined with hydraulic log lifting device or timber support system, you can produce more cubic metres per hour.

4 True power inside the SpaltFix K



The pressure piece presses the timber against the double-edged splitting knife and so quickly produces the maximum number of billets. SplitControl is optionally available and enables automatic splitting in the middle.

6 Neat further processing with no additional effort



The conveyor belts transport the finished billets to the respective packaging solution. The combination of the timber cleaner LogFix and the PackFix system produces firewood of high quality and in neat packages.

Cutting and splitting on the highest level

The professional split cutters

- Splitting power up to 41 t with Autospeed ▶
- Max. log diameter up to 55 cm
- Hydraulic double gripper and SuperCut chain saw
- For max. 18 billets of a length of up to 50 cm



SpaltFix K-440 with PackFix

SpaltFix K-440

The split cutter for log diameters up to 45 cm

SpaltFix	K-440
Log diameter max. cm	45
Billet length max. cm	50
Splitting power t	18
Number of billets max. per cycle	12
Splitting speed max. cm/s	22
Return speed max. cm/s	31
Sawing system	SuperCut chain saw ø 75 cm
Transportation	Stationary or mobile on axle
Control system	mechanical/hydraulic
Drive	🚗 Tractor 🌱 E-motor 🛢 Diesel
Details see page	130

⚠ Also ideal for mobile applications with lifting device.

SpaltFix K-540

The more powerful split cutter for log diameters up to 55 cm

SpaltFix	K-540
Log diameter max. cm	55
Billet length max. cm	50
Splitting power t	35
Number of billets max. per cycle	18
Splitting speed max. cm/s	28
Return speed max. cm/s	33
Sawing system	SuperCut chain saw ø 75 cm
Transportation	Stationary or mobile on axle
Control system	mechanical/hydraulic
Drive	🚗 Tractor 🌱 E-motor 🛢 Diesel
Details see page	130

⚠ More powerful with suitable log charging solution.



Immediate packing of billets

The efficient packaging solution for billet production. Thanks to the tilting table, conveyor belt standstill is minimised and firewood production runs without interruption with the 2-drum solution.

PackFix see billet handling page 145.



400V

▶ Autospeed



SpaltFix K-550

SPLIT CUTTING

SpaltFix K-550

The professional split cutter for longer billets with a log diameter up to 55 cm

SpaltFix	K-550
Log diameter max. cm	55
Billet length max. cm	100
Splitting power t	41
Number of billets max. per cycle	18
Splitting speed max. cm/s	24
Return speed max. cm/s	22
Sawing system	SuperCut chain saw ø 75 cm
Transportation	Stationary or mobile on axle
Control system	mechanical/hydraulic
Drive	<input checked="" type="checkbox"/> Tractor <input checked="" type="checkbox"/> E-motor <input checked="" type="checkbox"/> Diesel

Details see page 131

With crane option for professional charging.

Automatic splitting knife adjustment SplitControl

Directly before the splitting stroke, the optical sensor measures the log diameter, selects the ideal area of the special splitting knife and centres it.

The automatic system has the following advantages:

- Improved firewood quality due to more uniform billets
- Less splitting power required and reduced machine load
- Greater ease of use



Integrated in addition:

SplitControl also determines the processed timber volume in solid cubic metres. The timber volume measurement is only intended for internal use.



Experience the SpaltFix
K-540 in action at:
[www.posch.com/en/
SpaltFix-K-540](http://www.posch.com/en/SpaltFix-K-540)

SpaltFix K-440 and K-540

The powerful timber processing lines

It is no longer possible to imagine professional firewood production without our powerful cut splitters.

Stationary or mobile – they adapt perfectly to the requirements for large volumes. Depending on the log diameter of the source timber, you can select the K-440 (diameter up to 45 cm) or the K-540 (diameter up to 55 cm). Both offer a wide range of drives and additional solutions that make firewood processing faster and more efficient.

Tireless firewood production

The SpaltFix K quickly and efficiently chops up large logs. The machine produces up to 18 billets of a length of 50 cm in only one work cycle. Everything runs

smoothly on the inside as well. The Harvester SuperCut chain saw with automatic chain and blade tensioning cuts the logs into pieces with precision. The hydraulic timber rocker optimises the log transfer between the cutting and splitting areas.

Autospeed+

In addition, the K-540 includes Autospeed+. With the optimum selection of the three splitting speeds and the double-speed return, it ensures a particularly high hourly output.

For the K-SpaltFix, a large selection of log conveyor systems can be combined on an individual basis; log lifting devices are optionally available.

Ring splitting knife for neater billets

The frame knives are versatile and sturdy and adapt to the respective purpose. The double-edged knife produces smooth splitting edges, the ring knife variants produce many uniform billets that are ready for the stove in one work cycle. The hydraulic splitting knife adjustment guarantees splitting in the middle with every log diameter. With the 3-in-1 splitting knife functionality, you can always select the best tool without changing the knife.

Ready for every application

With the different drive variants PTO, E-motor or diesel, the SpaltFix is always well-equipped and also ready for mobile applications. For mobile applications, the optional elbow conveyor belts ensure a compact transport position. The different chassis models with integrated log charging ensure that the SpaltFix K is quickly ready for use. The optionally available hydraulic support feet ensure vertical stability. Integrated cross conveyors are put in the working position manually or hydraulically.



SPLIT CUTTING

Configure the perfect machine for your requirements

Our customer advisers will be pleased to provide information and to help you find an optimum solution for your application.

SpaltFix K-440 Price example

SpaltFix K-440	stationary	mobile
Ring splitting knife	for 2, 4, 8 parts	for 2, 4, 8 parts
Weight from kg	3,300	4,300
Add-on	Conveyor belt 4 m	- Elbow conveyor belt 4 m - Log charging: Roller and cross conveyors - Tractor chassis
Drive	⚙️ 20 kW tractor	⚙️ Tractor

SpaltFix K-540 Price example

SpaltFix K-440	stationary	mobile
Ring splitting knife	for 2, 6, 12 parts	for 2, 6, 12 parts
Weight from kg	4,900	6,400
Add-on	Conveyor belt 3 m	- Elbow conveyor belt 4 m - Log charging: Roller and cross conveyors
Drive	⚙️ 35 kW tractor	⚙️ Tractor



Experience the SpaltFix
K-550 in action at:
[www.posch.com/en/
SpaltFix-K-550](http://www.posch.com/en/SpaltFix-K-550)

Maximum power with the K-550

Professional short and metre-long log production

This impressive firewood processing machine with a splitting power of 41 t produces billets of a desired length from 25 to 100 cm.



1000-year-old oak tree in Bad Blumau (Austria)

It takes seven adults to enfold the trunk of this splendid specimen in Styria. It is considered the oldest oak tree in Europe and is called the "big oak" by the locals.

The SpaltFix K-550 is a real endurance runner. Powerful motors and the standard oil cooler ensure safe use in continuous operation. The double gripper tirelessly takes up the logs with a diameter of up to 55 cm and feeds them into the SuperCut chain saw. After having been cut to the desired length, the wood is passed on to the splitting unit via the hydraulic rocker in an ideal manner. With a splitting power of 41 t, the punch presses up to 18 billets through the

Higher working speed with the OptiSplit system and the automatic splitting stroke adjustment for the billet length.

hydraulically adjustable 2-in-1 frame knife. The standard OptiSplit system automatically adjusts the splitting stroke to the billet length and so ensures maximum splitting power. The optional SplitControl automatically centres the splitting knife and so produces the best firewood quality and same-sized billets. And during the entire process, you can easily control the complete firewood processing system with the two-hand joystick control.

High-tech on board

Large Posch machines are designed for maximum power, durability and little maintenance. Naturally the K-550 also offers you all the outstanding solutions that make split cutting easier for you. The hydraulic double gripper has a good grip on logs in every situation, the log manipulator makes sure that even the heaviest logs are put in the optimum position. The hydraulic stop lifting prevents logs from jamming. The 30-l chain oil tank guarantees continuous saw chain lubrication during operation. The aids make operation efficient: Log diameter display, OptiSplit and SplitControl ensure optimum results in the shortest possible time.



Maximum cutting and splitting power guaranteed. At the core of the SpaltFix K-550, there is a SuperCut chain saw with 75 cm and stepless, hydraulic cutting length adjustment.



The OptiSplit system automatically adjusts the splitting stroke to the billet length and ensures a higher working speed.



With the hydraulically adjustable frame knife, the SpaltFix K-550 produces up to 18 billets per work cycle (optional with SplitControl for splitting in the middle).

Configure the perfect machine for your requirements

Our customer advisors are pleased to provide information and to help you find an optimum solution for your application.

SpaltFix K-550 Price example

SpaltFix K-550	stationary	mobile
Ring splitting knife	for 12 parts	for 12 parts
Weight from kg	8,800	10,000
Add-on	hydraulically tilting conveyor belt 3.5 m	- hydraulically tilting conveyor belt 2.5 m - Cross conveyor with hydr. tilting device - Tractor chassis
Drive	Ⓜ 2 x 37 kW E-motor	Ⓜ Tractor

SpaltFix K-Vario – the variable split cutter

Efficient



65 cm

Log diameter max.

Powerful



16 t

Splitting power max.

Fast



60

Billets/work cycle max.



The centre of attention: SpaltFix K-600 Vario

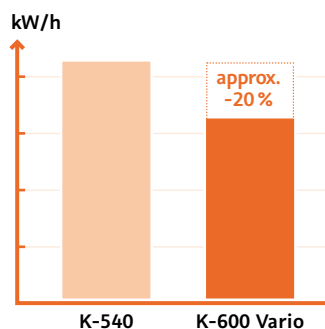
Uses large logs to produce fine billets with variably adjustable edge length and of premium quality.

1 AutoSplit for fine billets of the desired size



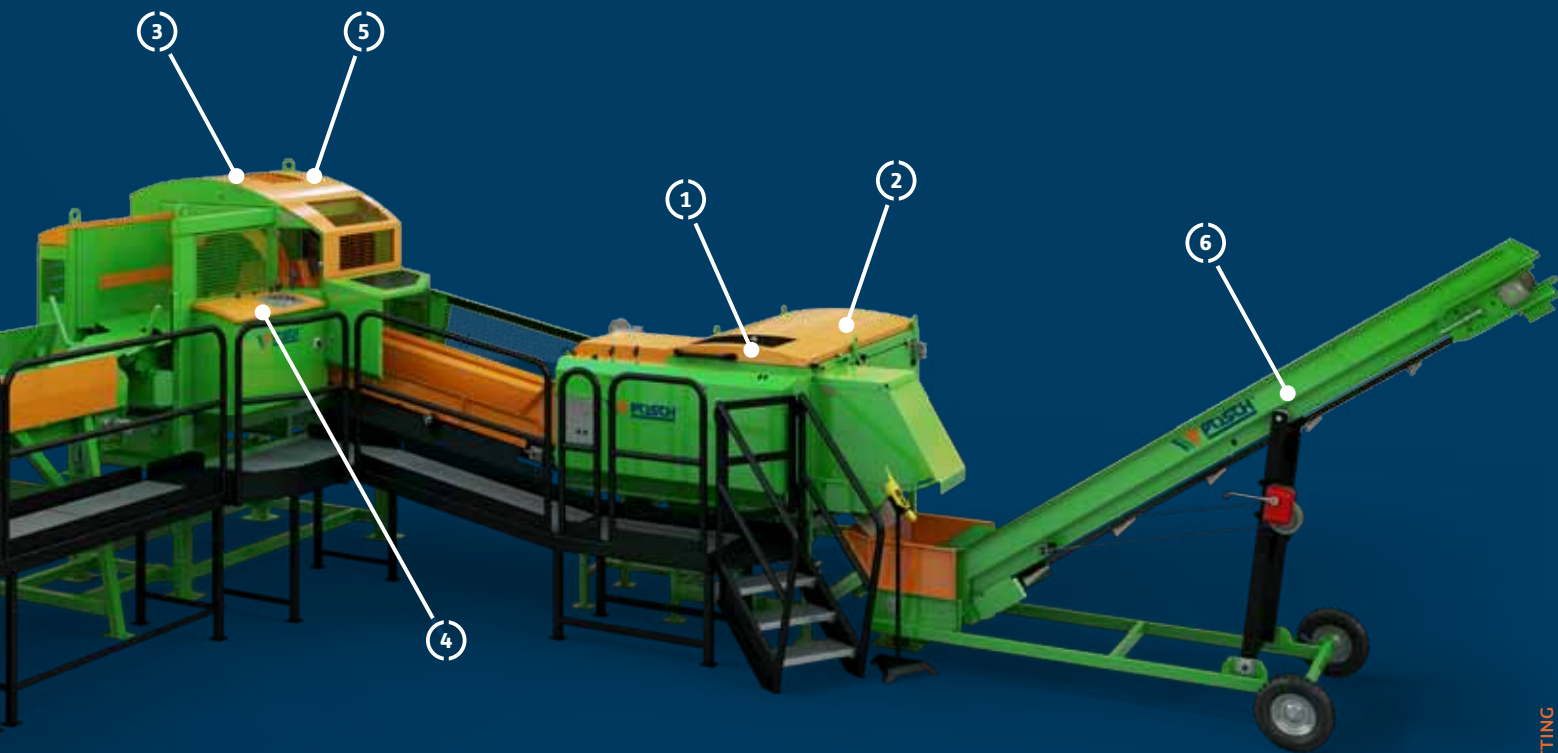
With a splitting power of 16 t and the X-shaped splitting knife, the AutoSplit automatically chops up the logs. The steplessly adjustable feed lets you precisely determine the desired billet size with an edge length of 5 – 15 cm.

2 More efficient splitting system ensures considerably reduced energy consumption



The K-Vario is characterised by its particularly energy-efficient mode of operation. A high hourly output and an optimum result are the outcome.

Picture on the left: Average power consumption per cubic metre



SpaltFix K-600 Vario

3 SuperCut cutting tool for logs up to 65 cm



The SuperCut chain saw with the 90 cm long blade and the hydraulic double gripper makes sure that every cut, even through the thickest logs, is performed safely.

5 Safe and trouble-free continuous operation due to high-quality components



E-drives in combination with the large hydraulic system are designed for a high hourly output, long working hours and many maintenance-free operating hours.

4 Everything under control with joystick and optional electronic control



Whole logs, with a thickness of up to 65 cm, are guided effortlessly and smoothly to the PowerCut cutting device and cut there according to the length specifications.

6 Optimise firewood production with suitable add-on units



Optional add-on units let you produce neat billets more quickly. With a suitable conveyor belt, the LogFix for cleaning and the PackFix for packing the billets, firewood production is optimised as much as possible.

Precise split cutting according to your requirements

The variable split cutters

- Splitting power up to 16t
- Max. log diameter up to 65 cm
- For max. 60 billets of a length of up to 50cm
- Hydraulic double gripper and SuperCut chain saw



400V



SpaltFix K-600 Vario with LogFix and PackFix

SpaltFix K-600 Vario

Production of fine billets from logs up to 60 cm

SpaltFix	K-600 Vario
Log diameter max. cm	60
Billet length max. cm	50
Splitting power t	16
Number of billets max. per cycle	50
Sawing system	SuperCut chain saw length 90 cm
Control system	mechanical/hydraulic/electronic
Drive	E-motor Tractor Diesel
Details see page	131

More power with the SpaltFix conveyor belts.

SpaltFix K-650 Vario

Electronically controlled production of fine billets from logs up to 65 cm

SpaltFix	K-650 Vario
Log diameter max. cm	65
Billet length max. cm	50
Splitting power t	16
Number of billets max. per cycle	60
Sawing system	SuperCut chain saw length 90 cm
Control system	electronic
Drive	E-motor
Details see page	131

Neat firewood thanks to the cleaning system LogFix.



Experience the SpaltFix K-Vario in action at:
www.posch.com/en/SpaltFix-K-Vario

SPLIT CUTTING

Simply produce the desired result

High-quality firewood with adjustable edge lengths

The SpaltFix of the K-Vario series turns the thickest logs into neat firewood according to your specifications.

The production of fine billets is the great strength of the K-Vario series. As required, it produces billets with an edge length between 5 and 15 cm, depending on requirements, which can be produced in single varieties for different customer groups. Suitable cleaning and packaging solutions for the K-Vario continuously ensure a better wood quality result and therefore also improve overall profitability.



Billet edge length of 10 cm (D15) and 5 cm (D7) – each billet fulfils your customer's requirements. Generate more income hour by hour.



Splitting with adjustable billet size with the X-shaped splitting knife.



SpaltFix K-600 Vario and K-650 Vario

The simple splitting principle of the SpaltFix K Vario

The operator only has to take care of log feeding and sawing, the rest of the splitting process is carried out fully automatically.

The combination of PowerCut and AutoSplit results in a unit that guarantees more efficiency and thus more profit. Therefore optimum use can be made of high-quality logs. Thanks to the professional hydraulic system with high-grade components, the SpaltFix ensures smooth and consistent top performance in continuous operation. The professional log charging mechanism puts the

Produces high-quality firewood in next to no time: The joystick control gives you control over the entire process now.

logs on the longitudinal conveyor. Thanks to joystick operation, you can control the feed, cutting process and transfer of the logs quite easily. Safely held by the hydraulic gripper, the SuperCut chain saw cuts through the wood with a 90-cm blade. The log section is passed on to the Autosplit via rocker and buffer conveyor.

After sawing, the timber is split automatically

A steplessly adjustable feed determines the edge length of the billets that are automatically split by the X-shaped splitting knife with a power of 16 t. The conveyor belt passes on the finished billets for cleaning and packing.



More power through electronic control.

The SpaltFix K-650 is equipped with an electronic control that additionally optimises the AutoSplit. The fully automatic splitter with high operational safety is controlled via the touch screen in a user-friendly manner. The edge length of 5 to 15 cm can be steplessly adjusted easily and quickly. Thanks to an optical sensor on the buffer conveyor, the splitting process is started automatically and stopped when there are no log sections, which increases operational safety considerably. In addition, the approximate processed timber volume is automatically calculated and displayed (only for internal use).

SPLIT CUTTING

Configure the perfect machine for your requirements

Our customer advisors are pleased to provide information and to help you find an optimum solution for your application.

SpaltFix K-600 Vario Price example

SpaltFix K-600	
Splitting knife	Vario splitting system
Weight from kg	7,500
Add-on	- Conveyor belt 4 m - Double-chain longitudinal conveyor - Cross conveyor
Drive	⊕ 2x22 kW E-motor

SpaltFix K-650 Vario Price example

SpaltFix K-650	
Splitting knife	Vario splitting system
Weight from kg	7,400
Add-on	- Conveyor belt 4 m - Double-chain longitudinal conveyor - Cross conveyor
Drive	⊕ 2x22 kW E-motor



1

Solutions for large volumes

More about professional log processing:
www.posch.com/en/Feeding

Professional log charging for SpaltFix K

The automatic SpaltFix machines process large volumes of timber into finished firewood hour after hour. The suitable charging systems ensure smooth operation and boost performance.

POSCH offers you a range of flexible solutions for the most exacting requirements. The useful longitudinal and cross conveyors for optimum log charging can be loaded quickly by tractor, forklift truck or timber loading crane. Depending on the requirements and work flows, the different units can be variably combined with each other. As far as the available **longitudinal conveyor systems** are concerned, you can always opt for a double chain or a roller conveyor. Both seamlessly take in the logs from the cross conveyors, offer an ideal connection to the SpaltFix and thus ensure smooth transferring.

The LogDeck ² is the ideal professional solution for very large volumes of timber. The separator LogSep ¹ ensures optimum separation and transfer to the longitudinal conveyors.



2

Roller conveyors

On the roller conveyors, the logs are supported on solid rollers that are driven hydraulically. The V-shaped roller structure ensures a smooth log feeding process. The integrated filler sheets ensure smooth transportation of short log sections as well.

Double chain conveyor

A double chain conveyor is used for log diameters over 55 cm. On these, a sturdy chain with drivers glides on maintenance-free plastic guides, it is available in different lengths from 4 m to 6 m.

Timber support systems for larger volumes

The ideal timber support system takes in a larger number of logs in every work cycle. The logs are put down by means of a forklift truck or timber loading crane and made available for further processing. All timber support systems can be combined with chain or roller conveyors in suitable configurations. When they are passed on from all the timber support systems to the longitudinal conveyor, the logs are automatically separated from each other by different systems and can thus be processed bit by bit.

The roller conveyor ^① and the double chain conveyor ^② ensure continuous charging. The optional cleaning belt ^③ transports the scrap wood underneath the cross conveyor in the right container.



Depending on your needs, there are suitable timber support systems that ensure the required timber supply as well:

- The **cross conveyor** passes the wood on via chain strands to the **longitudinal conveyor** and is masterfully in control even when processing twisted logs. It can be used for a maximum log length of 6 m and a timber support up to 6.2 m.
- The **LogDeck** is the ideal professional solution for very large volumes of timber. Depending on the design, up to 60 solid m³ of wood can be directly deposited on the cross conveyor.
- The separator **LogSep** ensures optimum separation and transfer to the longitudinal conveyors.



Truly efficient billet handling

With POSCH solutions, you can expand your production and improve your firewood quality.

Transporting, cleaning, packing up and loading have never been so easy. The individual work steps constitute a seamless work flow. The great hourly output and the great input power make sure that even large production lines no longer stand idle any more, and you profit from improved billet quality and increased profitability hour after hour.



Conveyor belts
The transport solution
see page 86



LogFix
The cleaning pro
see page 87



LogFill
For interim storage
see page 87



Bundling device
The classic lumberyard equipment
see page 85



PackFix Hydro
The packaging machine
see page 88

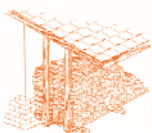


POSCH solutions for improved billet handling
www.posch.com/en/Billethandling

Loading and packing up firewood

More efficiency for wood processing

The sophisticated billet handling solutions from POSCH make the handling of short and metre-long billets easier. This makes conveying, cleaning, loading and and packing considerable easier.



Right drying of firewood

Good ventilation is crucial for profitable and efficient firewood production. Sufficient space in between prevents timber-decomposing fungi from spreading.

A high product quality and a high hourly output are the defined goal of the development of POSCH equipment for improved billet handling. Movable angled conveyor belts or similar helpful solutions are already integrated in many of our semi- or fully automatic saws and split cutters. All others are pre-equipped for the respective retrofitting options. In that way, further conveyor belts, interim storage solutions or packaging systems can be connected with each other seamlessly. You can put together all units flexibly

Neat billets of great quality fetch a better price on the market and make firewood processing more profitable.

according to your personal requirements. The equipment always does a good job, and on request, it can also be used outside the farm grounds due to the high degree of flexibility and transportability. Together with the automatic saws and naturally particularly with the split cutters of the SpaltFix series, this results in maximum efficiency. Less manual labour and fewer operators considerably increase the profit generated with timber processing.

The classic wood storage solution

The ideal addition for all wood splitters

Handy bundling devices get short and metre-long billets immediately ready for storage and transportation and make handling easy.

Bundling device for half-metre and metre-long billets

Makes billet handling particularly easy. After loading, the four standard belt guides bundle the billets into one or two bundles. The bundle of billets is safely tied up by means of the tensioning device. The tractor hydraulics lower the device, and after the locking lever has been released, the bundles can easily roll out. With a billet length of 1 m, each individual bundle has a volume of about one cubic metre.

Bundling device Fybron

This solution makes billet handling particularly convenient and price-efficient. It reduces the price of the packaging of metre-long billets to less than one Euro. Pressed-yarn cord is easy to handle and environmentally friendly, a manual rope winch makes for convenient tensioning and compressing, thus no other tools are necessary. An insulating wooden stop panel for noise reduction during operation is included as standard.



The bundling device as ideal addition to all wood splitters: Bundles half-metre and metre-long logs with composite band.

Bundling device Fybron with pressed-yarn cord is easy to handle and to dispose of.



Get more work done

Easier transportation of firewood

The powerful POSCH conveyor belts, which are available in different lengths, help you transport billets faster to their destination.

Conveyor belts 4/5 m

Ideally suited for loading finished firewood from tilting saws and short-log splitters. The pneumatic tyre wheels and the standard trailer drawbar ensure that these conveyor belts can be used everywhere. The inclination of the conveyor belt can be adjusted easily and quickly according to your requirements by means of a manual winch.

Conveyor belts with more power and a length of up to 8 m

The specialists for higher speed and higher hourly output pass the billets on to the LogFix cleaning unit, the LogFill interim storage or the PackFix system. With their wide configuration and the conveyor belt length of up to 8 m, these conveyors bridge any distance. Naturally ideal for loading finished billets from the SpaltFix firewood lines. Every conveyor belt can be adjusted precisely to its purpose, all of them have a swivel design and are height-adjustable. The belt inclination can be mechanically adjusted in steps, or on request also hydraulically without steps. With the large pneumatic tyre wheels, every conveyor belt is easy to move and can thus be adjusted more easily to all kinds of situations.



The 4/5 m conveyor belt achieves an ejection height of up to 3.3 m with a conveyor belt speed of 50 cm/s.

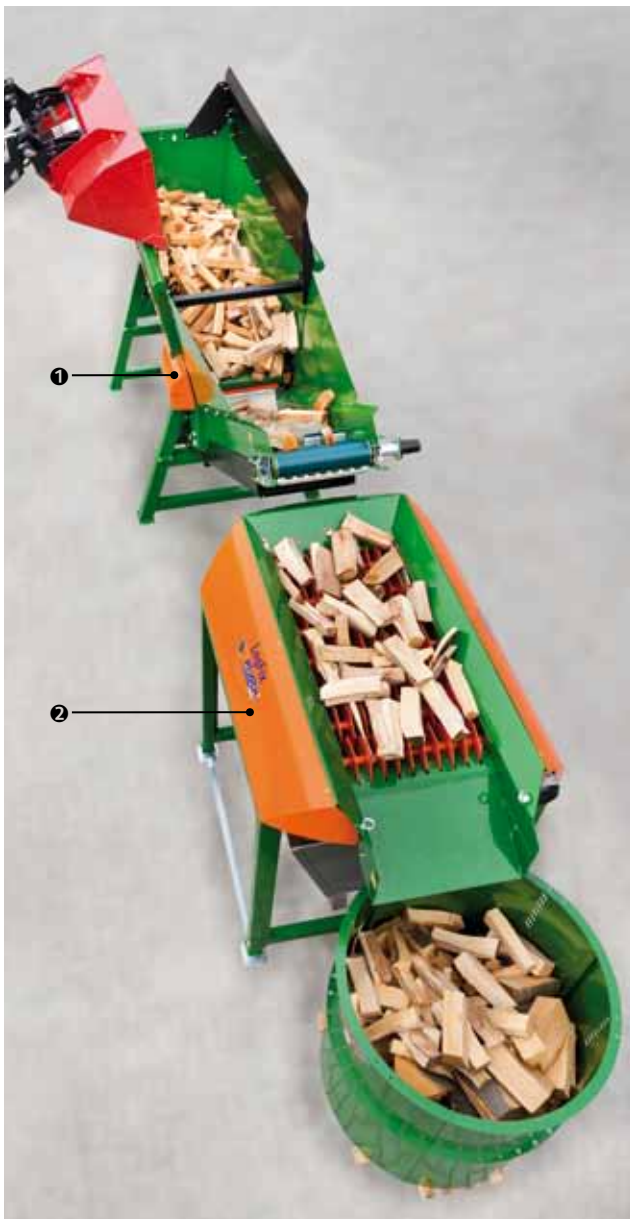
The 6/8 m conveyor belt achieves an ejection height of up to 5 m with a conveyor belt speed of 70 cm/s.



Interim storage and cleaning

Customised solutions for controlled and neat billet handling

The intermediate stations for firewood processing pass on the billets after preparation for smooth processing and cleaning.



LogFill **1** and Log Fix **2** clean the billets and fetch you a higher market price in almost no time at all.

Ask your customer service contact for a tailor-made solution.

LogFill stores and dispenses the billets

The LogFill serves as a billet buffer and thus ensures a smooth work flow in the firewood logistics chain. The ideal firewood processing system can be supplied from many sources, and it can always store the billets temporarily and load them in a controlled manner. It takes a maximum of 2 cubic metres of billets and releases them again via the scraper floor in a controlled and precisely adjustable manner. As a standard, the LogFill is equipped with a 2 m conveyor belt and therefore can easily be combined with the LogFix. The LogFill is also particularly useful for large volumes of billets and the PackFix Hydro system. While part of the billets is packed, the LogFill buffers the billets produced in the meantime. The radio remote control is a convenient way to control the unit.

LogFix separates billets from splinters

The interposed LogFix unit produces neat firewood and therefore higher quality firewood in no time. Rotating rollers remove undesirable parts such as wood chips, bark and wood splinters from every billet. The seven rollers rotate with only 50 rotations per minute and make very little noise. Through the funnel under the screen, the scrap wood is passed on into a suitable container or to an optional conveyor belt. The radio remote control functionality is used to switch the LogFix on and off with ease.



LogFix with waste funnel as a standard feature.



POSCH solutions for improved billet handling
www.posch.com/en/Billethandling

Stationary, mobile or multi-purpose unit: the PackFix

Drying, storing and delivering firewood in the perfect packaging



Satisfy demand more quickly

Due to natural decomposition processes, even billets that are stored properly lose up to 3% of their fuel value per year and should be used up soon accordingly.

The PackFix system is a fast and efficient solution for packing up billets and ensures fast drying of the billets produced.

For billets of a length of up to 50 cm, the PackFix offers the ideal packing solution. The drum is filled with billets by means of a conveyor belt and it holds a cubic metre of billets. Then the hydraulic swivel arm lifts up the drum, while the billets are wrapped up by the rotary arm. When all billets are wrapped up with the mesh, it is simply cut off and knotted together. This creates sturdy packs that can also be stacked one on

top of the other for space-saving storage. The PackFix is available in a stationary, mobile and multi-purpose design. The stationary PackFix, the unit can be adjusted to the underground by means of the height-adjustable base frame. The hydraulic tilting table doubles the working speed, and filling and packing can be carried out at the same time.

Packing up billets at maximum speed

User-friendly and safe

With the PackFix, the billets are collected in the drum and wrapped up in an air-permeable mesh for optimum drying. In the first step, the mesh is fixed to the pallet and then the filling drum with a diameter of 120 cm and a height of 145 cm is ready for filling. The swivel arm is lifted, lowered and rotated hydraulically and can easily be controlled by means of the control unit.



The PackFix drum is filled with a cubic metre of billets by means of a conveyor belt.



The rotary arm securely wraps the round bale mesh around the filling drum and the billets.



The drum itself does not rotate and is pulled upwards hydraulically.



As soon as the filling drum has been pulled up all the way, the mesh is severed and the pack of billets is carted away.



As filling and packing up are done at the same time, the tilting table saves you a lot of time.



 **POSCH**[®]
LEIBNITZ

Chopping with real ease

A POSCH chopper easily shreds all pieces of scrap wood.

The sturdy, high-quality machines quickly turn any kind of scrap wood into small pieces. Shrubbery, tree cuttings and scrap wood from your farm or garden quickly disappear in the large funnels and are quickly turned into useful material for composting or mulching.



ProfiHäcksler

For compost preparation

see page 148



HackBlitz

For shredding timber

see page 148

Chopping and shredding

The professional solutions for shredding

→ Timber diameter up to 5 or 10 cm

→ Mallet or chopping disk

→ Large funnel opening



ProfiHäcksler

ProfiHäcksler

The master of waste shredding and compost preparation.

ProfiHäcksler

Timber diameter max. cm	5
Mode of operation	Mallet drum
Material infeed	Feed chain
Weight min/max. kg	175 / 210
Result	Chopped-up material for compost
Drive	Tractor E-motor petrol

Details see page 148

Available with stand-alone petrol engine.



HackBlitz

HackBlitz

Easily transforms tree cuttings and scrap wood into wood chips.

HackBlitz

Timber diameter max. cm	10
Mode of operation	Chopping disk
Material infeed	Feed roller
Weight min/max. kg	382
Result	Chopped-up material for mulching
Drive	Tractor

Details see page 148

The professional helper for producing wood chips.



Experience the choppers
in action at:
[www.posch.com/en/
Chopping](http://www.posch.com/en/Chopping)

Shredding for all areas of application

Choose the right mode of operation

Choose the right product depending on whether you want to produce fine wood chips for composting or more coarse wood chips for mulching under hedges or bushes.

The chopper for professionals

It is particularly suited for optimum compost preparation and ensures the fast shredding of scrap wood such as shrubbery, bushes, wreaths, garden and sawmill waste. The spring-loaded feed chain with overload protection automatically and continuously transports the material to the mallet drum.

27 rotating mallets smash it into pieces and so ensure improved defibration and consequently quicker composting. As a standard, the mallets are for two-fold use and therefore last twice as long.

HackBlitz

Easily disposes of tree cuttings and scrap wood even from large farms or municipalities. The funnel and the feed roller evenly transport the material to the chopping disk, and as a result of the special funnel inclination, wood with a diameter of up to 10 cm is



The different shredded materials produced by the ProfiHäcksler (left) and the HackBlitz (right) in a direct comparison.

processed continuously. The special geometry of the chopping disk and the chopping knives affixed to it ensure quick shredding, the easily adjustable counter-blade improves the result even more. The finished wood chips are discharged into the trailer through an ejection pipe that is 2.2m high, or are distributed on site.



Debarking with real speed

A POSCH professional debarking machine turns each log into a neat post at top speed.

For minor tasks or complete fences, the professional top-class debarking machines are precisely the right choice. Debarking and pointing in one work step is no trouble at all. The sturdy design and the high debarking disk quality make sure that you are well-equipped for debarking innumerable logs.



Debarking machine
The post-producing machine
see page 96



SchälProfi
The solution for professionals
see page 96

Debarking of posts in no time

Top-class professional debarking machines

- Debarking disk with a diameter of 50 cm
- Debarking capacity up to 9 running m/min
- On request, for posts over 3 metres



Debarking machine

Debarking machine

For pointing and debarking posts.

Debarking machine

Timber diameter max. cm	15
Debarking process	Manual
Weight min/max. kg	114/162
Debarking disk thickness	10 mm
Drive	PTO E-motor combination
Details see page	150

With tempered and sharpened knives.



Schälprofi

SchälProfi

The professional machine for pointing and debarking.

SchälProfi

Timber diameter max. cm	24
Debarking process	Automatic
Weight min/max. kg	294/384
Debarking disk thickness	15 mm
Drive	PTO E-motor combination
Details see page	150

With optional timber support for long posts.



Experience the
SchälProfis in action at:
[www.posch.com/en/
Debarking](http://www.posch.com/en/Debarking)

Easily debark and point round timber

Turn each log into a post in no time

The machine is convenient and safe to operate, debarks any round timber and helps you to prepare it for the intended purpose.

Debarking machine: Considerable upgrade for scrap wood

This machine, which naturally has all of the advantages of POSCH equipment, is ideally suited for minor projects. The different drive types enable use in more areas of application, the sturdy and compact design ensures a long service life. The logs are simply and safely transported to the debarking disk via the slanted support with a protective cover for the debarking disk, and the unwanted bark is removed quickly.

SchälProfi: For ideal timber processing

Enables debarking and pointing in one work step. With the debarking machine for professionals, the log only has to be placed on the feeding device, and the debarking process is started automatically. With the infinitely adjustable feed, you can easily adjust the surface quality and so get your desired result more

quickly. With a log diameter of 24 cm, the machine achieves 9 running metres per minute. The chamfering device, the built-in ejector fan for discharging the chips produced and the optional guide for logs longer than 3 metres, make debarking as easy as possible.



The SchälProfi convinces with its infinitely adjustable feed and the great debarking capacity.

Annex

100 Splitting

SpaltAxt
Page 100

RuckZuck
Page 103

SplitMaster
Page 104

HydroCombi
Page 112

AutoSplit
Page 120



122 Cutting

Tilting table saw
Page 123

Roller-bench saw
Page 123

Tilting saw
Page 124

EasyCut
Page 127

SmartCut
Page 128



130 Split cutting

SpaltFix S
Page 132

SpaltFix K
Page 139

SpaltFix K Vario
Page 140



142 Billet handling

Conveyor belts
Page 142

PackFix
Page 145

Log series
Page 147

Bundling device
Page 144



148 Chopping

ProfiHäcksler
Page 148

HackBlitz
Page 148



150 Debarking

Debarking m/c
Page 150

SchälProfi
Page 150



SpaltAxt Overview

Model	HomeSplit 6	SpaltAxt 8	SpaltAxt 8 Special	SpaltAxt 10 Special
Splitting power max. t	6	7.2	7.2	9.3
Billet length max. cm	55	55	100–130	100–130
Cylinder stroke max. cm	54	54	54	54
Splitting knife length cm	20	20	20	26
Standard with E-drive				
Motor circuit breaker	✓	✓	✓	✓
Phase inverter	✓	✓	✓	✓
Turbo version available		●	●	✓
Tank capacity hydraulic oil l	4	5	5	7
Weight min/max kg	127 / 127	138 / 150	145 / 255	196 / 250
Solid rubber wheels ø cm	25	30	30	30
Drive				
PTO ^①			●	●
E-motor ^⑤	●	●	●	●
PTO / E-motor (combination) ^①			●	●
PS (tractor hydraulics) ^②			●	●
Petrol			●	●
Accessory equipment				
Three-point linkage for E-drive		○	○	○
Splitting cross	○	○	○	○
Push-on splitting knife	○	○	✓	✓
Comfort package (splitting cross and large timber support table)		○	○	○
Timber support table with large support area		○	○	○
Hour counter		○	○	○
Set of wheels ø 40 cm, pneumatic-tired		○	○	○
Base plate for longer logs up to 130 cm			○	○

① Tractor drive: Universal joint shaft required, three-point linkage cat. I+II, built-in oil pump, power consumption 5 kW

● available

② Tractor hydraulics: Size 3 hydraulic sleeve for forward and return movement required. Complete with connection tubes and hydraulic plug. Non-pressurised return movement necessary! Max. delivery rate of pump: 16l/min; Three-point linkage cat. I+II

○ optionally available

✓ standard

⑤ E-motor: Motor circuit breaker and phase inverter

HomeSplit 6

Sturdy firewood splitter for short logs.

Article no.	Type	Drive	Max. punching speed cm/s		Splitting power t	Weight kg
			Splitting step 1/2	Return		
M2905	E3 [ⓔ]	3 kW E-motor 400V, S6, CEE 16A	5	31	6	~ 127
M2906	E3 [ⓔ]	3 kW E-motor 230V, S6	5	26	5	~ 127

SpaltAxt 8

Powerful and sturdy firewood splitter for short logs.

Article no.	Type	Drive	Max. punching speed cm/s		Splitting power t	Weight kg
			Splitting step 1/2	Return		
M6140	E5,5 Turbo [ⓔ]	5.5 kW E-motor 400V, S6, CEE 16A	7	41	7.2	~ 150
M6141	E3 [ⓔ]	3 kW E-motor 230V, S6	5	26	6	~ 138
M6142	E3 [ⓔ]	3 kW E-motor 400, S6	5	31	7.2	~ 132

SpaltAxt 8 Special

Powerful and robust firewood splitter for short and metre-long logs.

Article no.	Type	Drive	Max. punching speed cm/s		Splitting power t	Weight kg
			Splitting step 1/2	Return		
M6145	E5,5 Turbo [ⓔ]	5.5 kW E-motor 400V, S6, CEE 16A	7	41	7.2	~ 164
M6146	E3 [ⓔ]	3 kW E-motor 230V, S6	5	26	6	~ 157
M6162	PS Turbo ^②	Tractor hydraulics, max. 16l/min	7	41	7.2	~ 145
M6166	PZG Turbo ^①	Tractor	8	46	7.2	~ 255
M6167	PZG-E5,5 Turbo ^{①ⓔ}	· Tractor	8	46	7.2	~ 245
		· 5.5 kW E-motor 400V, S6, CEE 16A	7	41		
M6168	B4,8	4.8 kW Honda 4-stroke petrol engine, Consumption: 0.5–0.8l/h, tank capacity: 0.9l	5	31	7.2	~ 160

SpaltAxt 10 Special

The ideal hydraulic firewood splitter for private households, farms and commercial purposes.

Article no.	Type	Drive	Max. punching speed cm/s		Splitting power t	Weight kg
			Splitting step 1/2	Return		
M6175	E5,5 Turbo ^③	5.5 kW E-motor 400V, S6, CEE 16A	7	28	9.3	~ 196
M6171	PS Turbo ^②	Tractor hydraulics, max. 16l/min	5	21	9.3	~ 205
M6176	PZG Turbo ^①	Tractor	8	32	9.3	~ 213
M6177	PZG-E5,5 Turbo ^{①③}	• Tractor • 5.5 kW E-motor 400V, S6, CEE 16A	8 7	32 28	9.3	~ 250
M6179	B8,1 Turbo	8.1 kW Honda 4-stroke petrol engine, Consumption: 1.0-1.3l/h, tank capacity: 2.1l	7	28	9.3	~ 214

Accessory equipment SpaltAxt

Article no.	Name	HomeSplit 6	SpaltAxt 8	SpaltAxt 8 Special	SpaltAxt 10 Special
F0002535	Base plate for SpaltAxt 10 Special, for timber lengths up to 130 cm				○
F0002527	Base plate for SpaltAxt 8 Special, for timber lengths up to 130 cm			○	
F0002596	Comfort package 8 (splitting cross and large timber support table)		○	○	
F0002597	Comfort package 10 (splitting cross and large timber support table)				○
F0002576	Three-point linkage cat. I + II for machines with E-drive, not possible with petrol engine drives		○	○	
F0002577	Three-point linkage cat. I + II for machines with E-drive, not possible with petrol engine drives				○
Z2000636	Walterscheid W-Line universal joint shaft				○
Z2000635	Walterscheid W-Line universal joint shaft		○	○	
F0002592	Large timber support table		○	○	○
F0002581	Set of wheels, ø 40 cm, pneumatic-tired with tread lugs		○	○	○
F0001831	Push-on splitting cross for 4-part HomeSplit6	○			
F0002543	Push-on splitting cross for 4-part SpaltAxt 8		○	○	
F0002545	Push-on splitting cross for 4-part SpaltAxt 10				○
F0001654	Push-on special knife with rollers	○			
F0002544	Push-on special knife with rollers (standard with SpaltAxt 8 Special)		○	✓	✓
F0001482	Hour counter for machines with petrol engine			○	○
F0002179	Hour counter for machines with E-drive		○	○	○
F0001806	Hour counter for machines with PTO-drive, with speed display			○	○

① Tractor drive: Universal joint shaft required, three-point linkage cat. I+II, oil pump fixed, power consumption 5 kW

② Tractor hydraulics: Size 3 hydraulic sleeve for forward and return movement required. Complete with connection tubes and hydraulic plug. Non-pressurised return movement necessary! Max. delivery rate of pump: 16l/min; Three-point linkage cat. I+II

③ E-motor: Motor circuit breaker and phase inverter

○ optionally available

✓ standard

RuckZuck Overview

RuckZuck	6	6 Turbo
Splitting power max. t	5.6 (4.6 with 230V E-motor)	5.6
Billet length max. cm	55	55
Cylinder stroke max. cm	54	54
Splitting speed max. step 1/2 cm/s	8/15	11/22
Return speed max. cm/s	17	24
Weight min/max kg	131/140	156
Solid rubber wheels ø cm	30	30
Drive		
E-motor	●	●
Petrol	●	
Accessory equipment		
Reversible splitting cross for 4 parts per cycle	○	○
Timber support table behind the splitting tool	○	○
Hour counter	○	○

✓ standard

○ optionally available

● available

RuckZuck & RuckZuck Turbo

Convenient horizontal wood splitter for private households.

Article no.	Type	Drive	Max. punching speed cm/s		Splitting power t	Weight kg
			Splitting step 1/2	Return		
M6860	E5,5 Turbo [Ⓢ]	5.5 kW E-motor 400V, S6, CEE 16A	11 / 22	24	5.6	~ 156
M6790	E3 [Ⓢ]	3 kW E-motor 400V, S6, CEE 16A	6 / 12	14	5.6	~ 131
M6791	E3 [Ⓢ]	3 kW E-motor 230V, S6	5 / 10	11	4.6	~ 134
M6862	B5,5 B&S	5.5 kW Briggs & Stratton petrol engine consumption: 1.0-1.5 l/h, tank capacity: 4.1 l	8 / 15	17	5.6	~ 140

Accessory equipment for RuckZuck & RuckZuck Turbo

Article no.	Name	RuckZuck	RuckZuck Turbo
F0001421	Timber support behind the splitting tool for RuckZuck	○	○
F0001482	Hour counter for machines with petrol drive	○	○
F0002179	Hour counter for machines with E-drive	○	○
F0001893	Push-on reversible splitting cross, for 4 parts	○	○

SplitMaster Overview

SplitMaster	9	20	26	30
Splitting power max. t	9	20	26	30
Billet length max. cm	50	110	125	125
Cylinder stroke max. cm	54	115	130	130
Billets / cycle max.	6	6	8	8
Splitting speed max. cm/s	8 / 19	13 / 27	15 / 33	13 / 25
Return speed max. cm/s	14	26	28	26
Autospeed	✓	✓	✓	✓
Weight min/max kg	234 / 370	764 / 807	1,106 / 1,250	1,106 / 1,270
Transportation				
Solid rubber wheels ø 25 cm	✓			
Three-point linkage (tractor, e-drive)	✓ ○	✓ ✓	✓ ✓	✓ ✓
Chassis	○	○	○	○
Drive				
PTO ^①	●	●	●	●
E-motor ^③	●	●	●	●
PTO / E-motor (combination) ^{①③}	●	●	●	●
PS (tractor hydraulics) ^②	●			
Petrol	●			
Diesel				
Special equipment				
Light bar	○	○		
Hydraulic splitting knife adjustment	○	✓	✓	✓
Remote control			○	○
Rope winch			○	○
Timber support table	✓	✓	✓	✓
Large timber support table	○		○	○
Accessory equipment				
Easy splitting knife		○	○	○
Splitting knife for 2 parts			○	○
Splitting knife for 3 parts	○			
Splitting knife for 4 parts	✓	✓	✓	✓
Splitting knife for 5 parts	○	○	○	○
Splitting knife for 8 parts			○	○
Ring/splitting knife for 12/15/18 parts				
Hour counter	○	○	○	○

① Tractor drive: Universal joint shaft required, three-point linkage cat. I and/or II (varies depending on model!)

② Tractor hydraulics: Three-point linkage cat. I + II, size 3 hydraulic sleeve for forward and return movement required. Complete with connection tubes and hydraulic plug. Non-pressurised return movement necessary! Max. delivery rate of pump: 16 l/min (varies depending on model!)

26/30 LFW	35 Special	40 and 40 Crane	55 and 55 Crane	SplitMaster
26/30	34.5	40	55	Splitting power max. t
125 (optional 225)	50	125 (optional 250)	125 (optional 250)	Billet length max. cm
130 (optional 230)	60	137 (optional 267)	137 (optional 267)	Cylinder stroke max. cm
8	18	6	6 (12 for short logs)	Billets / cycle max.
15/33	8/15	11/19	8/13	Splitting speed max. cm/s
28	16	28	18	Return speed max. cm/s
✓	✓	✓	✓	Autospeed
1,300 / 1,700	1,980 / 2,200	2,900 / 4,300	3,500 / 4,700	Weight min/max kg
				Transportation
				Solid rubber wheels ø 25 cm
				Three-point linkage for e-drive
✓	○	✓	✓	Chassis
				Drive
●	●	●	●	PTO ^①
	●	●	●	E-motor ^③
●	●			PTO / E-motor (combination) ^{① ③}
				PS (tractor hydraulics) ^②
				Petrol
●				Diesel
				Special equipment
○		○	○	Light bar
✓	✓	✓	✓	Hydraulic splitting knife adjustment
○		✓	✓	Remote control
				Rope winch
				Timber support table
✓		○	○	Large timber support table
				Accessory equipment
○				Easy splitting knife
○		○	○	Splitting knife for 2 parts
				Splitting knife for 3 parts
✓	○	✓	✓	Splitting knife for 4 parts
○	○	○	○	Splitting knife for 5 parts
○	○			Splitting knife for 8 parts
	○	○	○	Ring/splitting knife for 12/15/18 parts
○	○	✓	✓	Hour counter

③ E-motor: Motor circuit breaker and phase inverter

● available

○ optionally available

✓ standard

SplitMaster 9

The ergonomic horizontal splitter for private households and farms.

Article no.	Type	Drive	Max. punching speed cm/s		Splitting power t	Weight kg
			Splitting step 1/2	Return		
M2350R	E5,5-R ^⑤	5.5 kW E-motor 400V, S6, CEE 16A	7 / 17	12	9	~ 236
M2359R	E3D-R ^⑤	3.0 kW E-motor 230V, S6, double-stage pump	2 / 18	13	9	~ 234
M2350 SBLR	E5,5-R-PKW ^⑤	5.5 kW E-motor 400V, S6, CEE 16A, chassis SBL ^④	7 / 17	12	9	~ 362
M2352R	PZG-R ^①	Tractor, power consumption 7 kW, built-in oil pump with a capacity of 18.5 l/min at 430 rpm	8 / 19	14	9	~ 252
M2354R	PZG-E5,5-R ^{①⑤}	• Tractor • 5.5 kW E-motor 400V, S6, CEE 16A	8 / 19 7 / 17	12	9	~ 286
M2356 SBLR	B9,7-R-PKW	9.7 kW (13 HP) Briggs & Stratton Vanguard 4-stroke petrol engine, chassis SBL ^④ , consumption: 2.0-2.5 l/h, tank capacity: 8.5 l	8 / 18	13	9	~ 370
M2358R	PS-R ^②	Tractor hydraulics	8 / 19	14	9	~ 234

Special equipment SplitMaster 9

Possible for initial equipment, prices incl. assembly.

Article no.	Name
M	Surcharge for hydraulic splitting knife adjustment
D	Three-point linkage cat. I + II (for machines with E-drive)
B	Large timber support table (W x L: 99 x 95 cm)
L	Light bar
T	Tractor chassis SplitMaster 9, max. 10 km/h without brakes. Not for use on public roads, only for use on private premises (e.g. lumberyards). Ball hitch, no lights

Accessory equipment SplitMaster 9

Article no.	Name
Z2000635	Walterscheid W-Line universal joint shaft
F0001660	Splitting knife for 3 parts (∅ 10–40 cm)*
F0002663	Splitting knife for 4 parts (∅ 0–35 cm)*, standard
F0001661	Splitting knife for 6 parts (∅ 10–40 cm)*
F0001482	Hour counter for machines driven by petrol engines
F0003307	Hour counter for machines with E-drive
F0001806	Hour counter for machines with PTO-drive (Reed contact), with speed display

* log diameter for centred splitting

SplitMaster 20

The powerful wood splitter with log lifting device and high hourly output.

Article no.	Type	Drive	Max. punching speed cm/s		Splitting power t	Weight kg
			Splitting step 1/2	Return		
M6950	PZG ^①	Tractor, power consumption 26 kW (34 HP), built-in oil pump with capacity 64/125 l/min at 480 rpm	13 / 27	26	20	~ 764
M6955	E7,5D ^⑤	7.5 kW E-motor 400V, S6, CEE 16A, double-stage pump	11 / 23	22	20	~ 786
M6965	PZG-E7,5D ^{①⑤}	• Tractor • 7.5 kW E-motor 400V, S6, CEE 16A, Double-stage pump	13 / 27 11 / 23	26 22	20	~ 807

Special equipment SplitMaster 20

Possible for initial equipment, prices incl. assembly.

Article no.	Name
Y	Surcharge SplitMaster with "Easy" splitting knife and lumber pick (no splitting knife for 4 parts)
L	Light bar SplitMaster 20
X	Drawbar eye (low) with top PTO-drive and/or customised drawbar height
T	Tractor longitudinal chassis SplitMaster 20, max. 10 km/h without brakes, drawbar eye. Not for use on public roads, only for use on private premises (e.g. lumberyards). No lights

SplitMaster 26/30

The powerful professional horizontal splitter for longer billets.

Article no.	Type	Drive	Max. punching speed cm/s		Splitting power t	Weight kg
			Splitting step 1/2	Return		
M8400SH	PZG ①	Tractor, power consumption 18–37 kW at 300–650 rpm, built-in oil pump with max. capacity 87 l/min	15 / 33	28	26	~ 1,112
M8405H	E7,5D ②	7.5 kW E-motor 400V, S6, CEE 16A, double-stage pump	10 / 22	19	26	~ 1,106
M8410H	E15D ②	15 kW E-motor 400V, S6, CEE 32A, double-stage pump	11 / 23	20	26	~ 1,238
M8415SH	PZG-E7,5D ①②	• Tractor • 7.5 kW E-motor 400V, S6, CEE 16A Double-stage pump	15 / 33 10 / 22	28 19	26	~ 1,200
M8420SH	PZG-E15D ①②	• Tractor • 15 kW E-motor 400V, S6, CEE 32A Double-stage pump	15 / 33 11 / 23	28 20	26	~ 1,250
M8450SH	PZG ①	Tractor, power consumption 18–37 kW at 300–650 rpm, built-in oil pump with max. capacity 87 l/min	13 / 25	26	30	~ 1,130
M8455H	E7,5D ②	7.5 kW E-motor 400V, S6, CEE 16A, double-stage pump	8 / 16	16	30	~ 1,134
M8460H	E15D ②	15 kW E-motor 400V, S6, CEE 32A, double-stage pump	9 / 18	18	30	~ 1,178
M8465SH	PZG-E7,5D ①②	• Tractor • 7,5 kW E-motor 400V, S6, CEE 16A, double-stage pump	13 / 25 8 / 16	26 16	30	~ 1,190
M8470SH	PZG-E15D ①②	• Tractor • 15 kW E-motor 400V, S6, CEE 32A, double-stage pump	13 / 25 9 / 18	26 18	30	~ 1,270

Special equipment SplitMaster 26/30

Possible for initial equipment, prices incl. assembly.

Article no.	Name
Y	Surcharge SplitMaster with "Easy" splitting knife and lumber pick (no splitting knife for 4 parts)
L	Surcharge for large timber support table 140×200 cm, weight approx. 70 kg. Not possible in combination with "Easy" splitting knife (Y)!
C	Oil cooler
FW	Radio-controlled rope winch, pulling power 1,000 kg, rope 40 m. Can only be used with PTO operation with max. 540 rpm, cannot be used with PTO+E machines in e-mode!
DT	Tractor transverse chassis SplitMaster 26/30, max. 10 km/h without brakes, drawbar eye. Not for use on public roads, only for use on private premises (e.g. lumberyards). No lights

① Tractor drive: Universal joint shaft required, three-point linkage cat. I + II

② Tractor hydraulics: Three-point linkage cat. I + II. Universal joint shaft required; size 3 hydraulic sleeve for forward and return movement required. Complete with connection tubes and hydraulic plug. Non-presurised return movement necessary! Max. delivery rate of pump 16/min (varies depending on model!)

③ E-motor: Motor circuit breaker and phase inverter

④ Chassis SBL: fast-running axle 80 km/h, parking brake, ball hitch, lights

SplitMaster 26 with longitudinal chassis

The professional horizontal splitter for mobile applications.

Article no.	Type	Drive	Max. punching speed cm/s		Splitting power t	Weight kg
			Splitting step 1/2	Return		
M6651ST13H	PZG ^①	Tractor, power consumption 18–37 kW at 300–650 rpm, built-in oil pump with max. capacity 87 l/min	15 / 33	28	26	~ 1,300
M6666ST13H	PZG-E7,5D ^{①②}	• Tractor • 7.5 kW E-motor 400V, S6, CEE 16A, Double-stage pump	15 / 33 10 / 22	28 19	26	~ 1,390
M6671ST13H	PZG-E15D ^{①③}	• Tractor • 15 kW E-motor 400V, S6, CEE 32A, Double-stage pump	15 / 33 11 / 23	28 20	26	~ 1,420

SplitMaster 30 with longitudinal chassis (LC) or on timber trailer (TT)

The professional horizontal splitter with maximum power for mobile applications.

Article no.	Type	Drive	Max. punching speed cm/s		Splitting power t	Weight kg
			Splitting step 1/2	Return		
M6652ST13H	PZG ^①	Tractor, power consumption 18–37 kW at 300–650 rpm, built-in oil pump with max. capacity 87 l/min	13 / 25	26	30	~ 1,310
M6667ST13H	PZG-E7,5D ^{①②}	• Tractor • 7.5 kW E-motor 400V, S6, CEE 16A, Double-stage pump	13 / 25 9 / 18	25 18	30	~ 1,420
M6672ST13H	PZG-E15D ^{①③}	• Tractor • 15 kW E-motor 400V, S6, CEE 32A, Double-stage pump	13 / 25 8 / 16	26 16	30	~ 1,350
M6662T13H	D22	22 kW (30 HP) Hatz diesel engine at 2,100 rpm, consumption: 3.0–3.5 l/h, tank capacity: 30 l	7 / 14	14	30	~ 1,700
M6580	30PS-R-1300 ^④	Installation on timber trailer: driven by tractor hydraulics.			30	~ 1,200

Special equipment for SplitMaster 26/30 with LC or on TT

Article no.	Name	26 longitu- dinal chassis	30 longitu- dinal chassis	30 timber trailer
Y	Surcharge SplitMaster with "Easy" splitting knife and lumber pick (no splitting knife for 4 parts)	○	○	
V23	Surcharge for splitting stroke, max. timber length 2.2m			○
T23	Surcharge for stroke 2.3 m with tractor vehicle max. 10 km/h without brakes, parking brake. Not for use on public roads, only for use on private premises (e.g. lumberyards). No lights. Max. billet length 225 cm, cylinder stroke 230 cm. Weight: approx. 1,800 kg		○	
SAHL	Surcharge for road chassis instead of tractor chassis T13, overrun brake 80 km/h, height-adjustable articulated drawbar, ball hitch, with light bar	○	○	
G	Surcharge for lifting device of 2.3 m length and 2 lifting cylinders		○	
L	Light bar	○	○	
MI108	Reduced price SplitMaster without lifting device	○	○	
C	Oil cooler	○	○	
SO481	PTO drive for SplitMaster			○
SO412	PTO intermediate transmission for forest trailer pump			○
FW	Radio-controlled rope winch, pulling force 1,000 kg, rope 40 m. Can only be used with PTO operation with max. 540 rpm, cannot be used with PTO+E machines in e-mode!	○	○	

Accessory equipment SplitMaster 20 – 30

Article no.	Name	20	26/30	26/30 longitudinal chassis	30 timber trailer
Z2000653	Walterscheid W-Line universal joint shaft	○	○	○	○
Z2000649	Walterscheid W-Line universal joint shaft for transverse tractor chassis DT		○		
F0003746	Gripping pliers for cable puller, for log diameters up to 65 cm, approx. 9 kg		○	○	
F0003747	Gripping pliers for cable puller for log diameters up to 80 cm, approx. 14.5 kg		○	○	
F0002605	Chain for cable puller, 1 m, 2-log hauling hook for 1,000 kg		○	○	
F0002027	Light unit, push-on		○	○	○
F0003120	Knife changing device		○		
F0003169	Knife changing device			○	
F0002873	Splitting knife "Easy" with lumber pick	○			
F0003141	Splitting knife "Easy" with lumber pick		○		
F0002773	Splitting knife "Easy" with lumber pick			○	
F0002023	Splitting knife for 2 parts			○	
F0003074	Splitting knife for 2 parts		○		
F0002872	Splitting knife for 4 parts (∅ 0–40 cm)*, standard	○			
F0003075	Splitting knife for 4 parts (∅ 0–50 cm)*, standard		○		
F0002025	Splitting knife for 4 parts (∅ 0–50 cm), standard			○	○
F0002836	Splitting knife for 6 parts (∅ 15–40 cm)*	○			
F0003044	Splitting knife for 6 parts (∅ 15–50 cm)*		○		
F0001939	Splitting knife for 6 parts (∅ 15–50 cm)*			○	○
F0003069	Splitting knife for 8 parts (∅ 15–50 cm)*		○		
F0002024	Splitting knife for 8 parts (∅ 15–50 cm)*			○	○
F0001666	Splitting trough extension for splitting short timber			○	○
F0003121	Splitting trough extension for splitting short timber		○		
F0002179	Hour counter for machines with E-drive	○	○	○	○
F0001806	Hour counter for machines with PTO-drive (Reed contact), with speed display	○	○	○	○
F0002421	Separator plate between splitting trough and timber support			○	
F0002867	Separator plate between splitting trough and timber support (with three-point linkage and chassis)	○			
F0003383	Separator plate between splitting trough and timber support (F0003181) and splitting trough extension for short timber (F0003121), not possible for DT		○		
F0003181	Separator plate between splitting trough and timber support, not possible for DT		○		

* log diameter for centred splitting

○ optionally available ✓ standard

- ① Tractor drive: Universal joint shaft required, three-point linkage cat. I + II
- ② Tractor hydraulics: Three-point linkage cat. I + II. Universal joint shaft required; size 3 hydraulic sleeve for forward and return movement required. Complete with connection tubes and hydraulic plug. Non-pressurised return movement necessary! Max. delivery rate of pump 16 l/min (varies depending on model!)
- ③ E-motor: Motor circuit breaker and phase inverter

- ⑤ Two hydraulic circuits with 4 hydraulic plugs required: **circuit 1:** size 3 and 6 hydraulic sleeves required. **Circuit 2:** size 3 hydraulic sleeves required. Complete with connection tubes and hydraulic plug. Non-pressurised return movement necessary! Max. delivery rate of pump: 60 l/min for circuit 1, 20 l/min (10 l/min recommended) for circuit 2; splitting power 30t at 260 bar. Caution! Splitter assembly will be invoiced at cost

Remote controls for SplitMaster 26 and 30

Article no.	Name
E	Electr. features prepared, additionally equipped with electrical control option for installation with a cable or remote control by the customer. 12V connection required. The machine can be operated by hand via the two-hand control unit.
F0002884	Voltage converter RC/CC 230V – 12V (in addition to option E) only for electric drive
F0002885	Radio remote control "RCS" (in addition to option E)
F0002886	Cable remote control "CC" (in addition to option E)*
F0002887	Cable remote control, pedal "CCF" (in addition to option E)*
F0002888	Radio remote control "RC" (in addition to option E)*
F0002889	Radio-remote control, pedal "RCF" (in addition to option E)*

* Machines with these control options may only be charged by means of a crane.
The control unit has to be installed by the customer at the charging site (crane, tractor).

SplitMaster 35 Special

The professional horizontal splitter. Stationary with optional tractor chassis.

! Industry

Article no.	Type	Drive	Max. punching speed cm/s		Splitting power t	Weight kg
			Splitting step 1/2	Return		
M6400	35-PZG 600 ^①	Driven by tractor, stationary model, built-in oil pump with capacity 70/137 l/min. at 400 rpm, power consumption 25 kW (34 HP, universal joint shaft required)	8 / 15	16	34.5	~ 1,980
M6405	35-E30 600 ^②	Driven by 30 kW E-motor 400 V, stationary model	8 / 15	16	34.5	~ 2,000
M6410	35-PZGE30 600 ^{①②}	Tractor or 30 kW E-motor 400 V	8 / 15	16	34.5	~ 2,200

Accessory equipment and chassis SplitMaster 35

! Industry

Article no.	Name
KF4	Elbow belt 55 cm width, hydraulic drive of basic machine, length 4 m, ejection height 2.8 m, fully fitted. Can be folded away for transport position
KF6	Elbow belt 55 cm width, hydraulic drive of basic machine, length 6 m, ejection height 3.8 m, fully fitted. Can be folded away for transport position
F0001671	Timber feed belt 180×30 cm (instead of log lifting device)
H	Log lifting device for timber of a length of up to 50 cm and 50 cm ø
T	Tractor longitudinal chassis SplitMaster 35 Special with parking brake, drawbar eye height 70 cm
F0001672	Ring-Splitting knife 250 "Special" 18 parts, optimal for timber diameter 29 up to 45 cm; Only useable for timber length up to 50 cm

SplitMaster 40/40 Crane

Pure power for horizontal splitting with 40t and optional crane.

! Industry

Article no.	Type	Drive	Max. punching speed cm/s		Splitting power t	Weight kg
			Splitting step 1/2	Return		
M6365TRC	40 PZG ^①	Tractor, power consumption 44 kW, oil pump with capacity 91/154 l/min at 540 rpm	11 / 19	28	40	~ 2,900
M6360TK	40 PZG ^① with crane	Tractor, power consumption 44 kW, oil pump with capacity 91/154 l/min at 540 rpm	11 / 19	28	40	~ 4,300

SplitMaster 55/55 Crane

Pure power for horizontal splitting with 55 t and optional crane.

! Industry

Article no.	Type	Drive	Max. punching speed cm/s		Splitting power t	Weight kg
			Splitting step 1/2	Return		
M6385TRC	55 PZG ^①	Tractor, power consumption 44 kW, oil pump with capacity 91/154 l/min at 540 rpm	8 / 13	18	55	~ 3,500
M6380TK	55 PZG ^① with crane	Tractor, power consumption 44 kW, oil pump with capacity 91/154 l/min at 540 rpm	8 / 13	18	55	~ 4,700

Accessory equipment for SplitMaster 40/40 Crane & 55/55 Crane

! Industry

Article no.	Name	40/40 Crane	55/55 Crane
F0001824	Splitting knife for 2 parts for SplitMaster 40 Crane	○	
F0002505	Splitting knife for 4 parts for SplitMaster 40 Crane (ø 15–50 cm)*, standard	✓	
F0001815	Splitting knife for 6 parts for SplitMaster 40 Crane (ø 15–50 cm)*	○	
F0001922	Splitting knife for 2 parts for SplitMaster 55 Crane		○
F0002506	Splitting knife for 4 parts for SplitMaster 55 Crane (ø 40–90 cm)*, standard		✓
F0001887	Splitting knife for 6 parts for SplitMaster 55 Crane (ø 40–90 cm)*		○
F0001912	Ring knife for 12 parts for short timber (max. 50 cm) up to max. ø 60 cm for SplitMaster 55 Crane*		○
F0001923	Timber support table 140×200 cm (L×W)	○	○
F0001924	Timber support table incl. extension, 190×200 cm (L×W)	○	○
Z1930070	Universal joint shaft	○	○

* log diameter for centred splitting

Accessory equipment for SplitMaster 40/40 Crane & 55/55 Crane

! Industry

Article no.	Name	40/40 Crane	55/55 Crane
T26	Surcharge for stroke 2.65 m for max. billet length 2.5 m with mechanical shut-off feature 1.30 m, incl. tractor chassis max. 10 km/h without brakes, parking brake. Not for use on public roads, only for use on private premises (e.g. lumberyards). No lights	○	○
SD26	Surcharge for 2.65 m for max. timber length incl. road chassis 80 km/h, ABS pneumatic brake, lights, with mechanical shut-off feature 1.30 m	○	○
RCF	Surcharge for remote radio control with foot pedal (for M6365TRC and M6385TRC)	○	○
L	Light bar (for machines with tractor chassis)	○	○

○ optionally available ✓ standard

① Tractor drive: Universal joint shaft required, three-point linkage cat. I + II.

② Tractor hydraulics: Three-point linkage cat. I + II. Universal joint shaft required; size 3 hydraulic sleeve for forward and return movement required. Complete with connection tubes and hydraulic plug.

③ E-motor: Motor circuit breaker and phase inverter

Non-pressurised return movement necessary! Max. delivery rate of pump 16/min (depending on model!)

HydroCombi Overview

HydroCombi	10	13	13 chassis ^④	16	18
Splitting power max. t	10	13	13	16	18
Billet length max. cm	110	110	110	110	110
Cylinder stroke max. cm	100	100	100	100	100
Splitting knife length cm	24	24	24	24	24
Standard					
Fixomatic	✓	✓	✓	✓	✓
two advance speeds	✓	✓	✓		
Autospeed	○	○	○	✓	✓
Mech. log lifting device	✓	✓	✓	✓	✓
Stroke limitation	✓	✓	✓	✓	✓
Tank capacity hydraulic oil l	18	18	18	38	38
Weight min/max kg	310/382	318/390	474/487	330/488	374/486
Transportation					
Hand-gear chassis with transport aid	✓ ○ Driving device	✓ ○ Driving device			
Road chassis (can be uncoupled)				○	○
Road chassis			✓		
Height transport / working position cm	193/255	193/255	175/255	195/260	195/260
Drive					
PTO (tractor) ^①	●	●		●	●
PTO / E-motor (combination) ^{①③}	●	●		●	●
PS (tractor hydraulics) ^②	●	●		●	●
E-motor ^③	●	●	●	●	●
Petrol/Diesel	●	●	●		
Special equipment					
Hydraul. log lifting device				○	○
Rope winch 500 manual				○	○
Rope winch 1000 manual/radio				○	○
Accessory equipment					
Push-on, anti-slip floor grid	○	○	○	○	○
Lumber pick bracket	○	○	○	○	○
Power saw bracket	○	○	○	○	○
Hour counter	○	○	○	○	○
Timber support table	○	○	○	○	○

① Tractor drive: Universal joint shaft required, three-point linkage cat. I + II, built-in oil pump

② Tractor hydraulics: Three-point linkage cat. I + II. Universal joint shaft required; size 3 hydraulic sleeve for forward and return movement required. Complete with connection tubes and hydraulic plug. Non-pressurised return movement necessary! Max. delivery rate of pump 16/30/35l/min (varies depending on model!)

③ E-motor: Motor circuit breaker and phase inverter

20	16/20 chassis ^⑤	22	24 Turbo ^⑥	26	HydroCombi
20	16/20	22	24	26	Splitting power max. t
110	110	110	110	110	Billet length max. cm
100	100	100	100	100	Cylinder stroke max. cm
30	30	30	30	30	Splitting knife length cm
Standard					
✓	✓	✓	✓	✓	Fixomatic
two advance speeds					
✓	✓	✓	✓	✓	Autospeed
✓	✓	✓	✓	✓	Mech. log lifting device
✓	✓	✓	✓	✓	Stroke limitation
38	38/43	43	45	43	Tank capacity hydraulic oil l
508/574	730/980	556/648	660/705	616/684	Weight min/max kg
Transportation					
Hand-gear chassi with transport aid					
○		○	○	○	Road chassi (can be uncoupled)
	✓				Road chassi
198/260	200/260	198/260	200/263	200/263	Height transport / working position cm
Drive					
●		●	●	●	PTO (tractor) ^①
●		●	●	●	PTO / E-motor (combination) ^{①③}
					PS (tractor hydraulics) ^②
●	●	●	●	●	E-motor ^③
	●				Petrol/Diesel
Special equipment					
○	○	○	○	○	Hydraul. log lifting device
Rope winch 500 manual					
○		○	○	○	Rope winch 1000 manual/radio
Accessory equipment					
○	○	○	○	○	Push-on, anti-slip floor grid
○	○	○	○	○	Lumber pick bracket
○	○	○	○	○	Power saw bracket
○	○	○	○	○	Hour counter
○	○	○	○	○	Timber support table

● available ○ optionally available ✓ standard

^④ Vertical mode / hydraulic tilting aid: For transport, the splitter is put in the horizontal transport position by means of a hydraulic cylinder. Mobile on axle, with ball hitch, max. transport speed: 80 km/h; lights.

^⑤ Vertical mode / tilting aid with rope winch: For transport, the splitter is put in the horizontal transport position by means of a hydraulic cylinder. Mobile on axle, with ball hitch, max. transport speed: 80 km/h; lights.

^⑥ Turbo (2-cylinder splitting system): Double return speed and higher hourly output

HydroCombi 10

Hydraulic, entry-level firewood splitter for metre-long logs with standard 2 forward speeds.

Article no.	Type	Drive	Max. punching speed cm/s		Splitting power t	Weight kg
			Splitting step 1/2	Return		
M2832M	PZG-V2 ¹	Tractor, power consumption 11 kW, oil pump with max. capacity 27 l/min – built-in, recommended PTO speed 300–380 rpm	12 / 28	20	10	~ 332
M2830M	E5,5-V2 ²	5.5 kW E-motor 400V, S6, CEE 16A, with hand-gearred trolley	6 / 15	10	10	~ 350
M2831M	E5,5D-V2 Turbo ²	5.5 kW E-motor 400V, S6, CEE 16A, double-stage pump, with hand-gearred trolley	5 / 32	23	10	~ 356
M2839M	E3D-V2 ²	3 kW E-motor 230V, S6, double-stage pump, with hand-gearred trolley	2 / 18	13	9	~ 345
M2834M	PZG-E5,5-V2 ^{1 2}	• Tractor, power consumption 11 kW • 5.5 kW E-motor 400V, S6, CEE 16A	12 / 28 6 / 15	20 10	10	~ 382
M2838M	PS-V2 ²	Tractor hydraulics, size 3 hydraulic sleeve for forward and return movement required. Compl. with connection tubes and hydraulic plug. Non-pressurised return movement necessary! Max. delivery rate of pump 16 l/min	7 / 17	12	10	~ 310
M2837M	B5,5D-V2 Turbo	5.5 kW petrol engine (B&S), double-stage pump, consumption: 1.0-1.5 l/h, tank capacity: 4.1, with hand-gearred trolley	4 / 32	23	10	~ 342

 Order right now: **Special equipment "AutoSpeed"** – only with initial equipment! See page 118.

HydroCombi 13

Hydraulic, entry-level firewood splitter for metre-long logs with 2 advance speeds and more splitting power as a standard.

Article no.	Type	Drive	Max. punching speed cm/s		Splitting power t	Weight kg
			Splitting step 1/2	Return		
M2822M	PZG-V2 ¹	Tractor, power consumption 14 kW, oil pump with max. capacity 32 l/min – built-in, recommended PTO speed 300-450 rpm	11 / 23	20	13	~ 346
M2820M	E5,5-V2 ²	5.5 kW E-Motor 400V, S6, CEE 16A, with hand-gearred trolley	5 / 10	9	13	~ 352
M2821M	E5,5D-V2 Turbo ²	5.5 kW E-motor 400V, S6, CEE 16A, double-stage pump, with hand-gearred trolley	4 / 22	19	13	~ 365
M2829M	E3D-V2 ²	3 kW E-motor 230V, S6, double-stage pump, with hand-gearred trolley	2 / 12	11	12	~ 355
M2824M	PZG-E5,5-V2 ^{1 2}	• Tractor, power consumption 12 kW • 5.5 kW E-motor 400V, S6, CEE 16A	11 / 23 5 / 10	28 9	13	~ 390
M2828M	PS-V2 ²	Tractor hydraulics, size 3 hydraulic sleeve for forward and return movement required. Compl. with connection tubes and hydraulic plug. Non-pressurised return movement necessary! Max. delivery rate of pump 30 l/min	10 / 21	19	13	~ 318
M2823M	B5,5D-V2 Turbo	5.5 kW petrol engine (B&S), double-stage pump, consumption: 1.0-1.5 l/h, tank capacity: 4.1 l, with hand-gearred trolley	3 / 22	19	13	~ 354
M2826M	B9,7-V2	9.7 kW Briggs & Stratton Vanguard 4-stroke petrol engine, consumption: 2.0-2.5 l/h, tank capacity: 8.5 l, with hand-gearred trolley	6 / 12	11	13	~ 370

 Order right now: **Special equipment "AutoSpeed"** – only with initial equipment! See page 118.

HydroCombi 13 with chassis

Mobile on axle for mobile use with petrol engine or E-motor.

Article no.	Type	Drive	Max. punching speed cm/s		Splitting power t	Weight kg
			Splitting step 1/2	Return		
M2823MS	B5,5 D-V2	5.5 kW petrol engine (B&S), double-stage pump, engine, consumption: 2.0-2.5 l/h, tank capacity: 8.5 l	3 / 22	19	13	~ 474
E	Surcharge initial equipment for additional E-drive 5.5 kW, 400V for M2823MS					
ED	Surcharge initial equipment for additional E-drive 5.5 kW, 400V with double-stage pump for M2823MS					
M2820MS	E5,5-V2 ^⑤	5.5 kW E-motor 400V, S6, CEE 16A	5 / 10	9	13	~ 487
M2821MS	E5,5 D-V2 ^⑤	5.5 kW E-motor 400V, S6, CEE 16A, double-stage pump	4 / 22	19	13	~ 482

! Order right now: **Special equipment "AutoSpeed"** – only with initial equipment! See page 118.

HydroCombi 16

More power for higher hourly output for the splitting of metre-long logs.

Article no.	Type	Drive	Max. punching speed cm/s		Splitting power t	Weight kg
			Splitting step 1/2	Return		
M6202MR	PZG-R ^①	Tractor, power consumption 17 kW, oil pump with max. capacity 45 l/min – built-in, recommended PTO speed 300–380 rpm	11 / 19	23	16	~ 428
M6204MR	E5,5 D-R ^⑤	5.5 kW E-motor 400V, S6, CEE 16A, double-stage pump	5 / 16	19	16	~ 470
M6206MR	PZG-E5,5 D-R ^{① ⑤}	• Tractor, power consumption 17 kW • 5.5 kW E-motor 400V, S6, CEE 16A, double-stage pump	11 / 19 5 / 16	23 19	16	~ 488
M6208MR	PZ-R ^④	Tractor, power consumption 17 kW, push-on oil pump with max. capacity 45 l/min, recommended PTO speed 300–380 rpm	11 / 19	23	16	~ 418
M6200MR	PS-R ^②	Tractor hydraulics, size 3 hydraulic sleeve for forward and return movement required. Compl. with connection tubes and hydraulic plug. Non-pressurised return movement necessary! Max. delivery rate of pump 35 l/min	8 / 15	18	16	~ 330

! Order right now: **Hydraulic log lifting device and rope winch** – only with initial equipment! See page 118.

- ①** Tractor drive: Universal joint shaft required, three-point linkage cat. I + II.
- ②** Tractor hydraulics: Three-point linkage cat. I + II. Universal joint shaft required; size 3 hydraulic sleeve for forward and return movement required. Complete with connection tubes and hydraulic plug. Non-pressurised return movement necessary! Max. delivery rate of the pump 16/30/35 l/min (varies depending on model!)
- ③** E-motor: Motor circuit breaker and phase inverter
- ④** Tractor: Three-point linkage cat. I + II.

HydroCombi 18

More power for higher hourly output for the splitting of metre-long logs.

Article no.	Type	Drive	Max. punching speed cm/s		Splitting power t	Weight kg
			Splitting step 1/2	Return SPD		
M6192MR	PZG-R ①	Tractor, power consumption 17 kW, oil pump with max. capacity 45 l/min – built-in, recommended PTO speed 300–380 rpm	10 / 19	19	18	~ 430
M6194MR	E5,5 D-R ③	5.5 kW E-motor 400V, S6, CEE 16A, double-stage pump	5 / 16	16	18	~ 486
M6196MR	PZG-E5,5 D-R ①③	• Tractor, power consumption 17 kW • 5.5 kW E-motor 400V, S6, CEE 16A, double-stage pump	10 / 19 5 / 16	19 16	18	~ 480
M6198MR	PZ-R ④	Tractor, power consumption 17 kW, push-on oil pump with max. capacity 45 l/min, recommended PTO speed 300–380 rpm	10 / 19	19	18	~ 410
M6190MR	PS-R ②	Tractor hydraulics, size 3 hydraulic sleeve for forward and return movement required. Compl. with connection tubes and hydraulic plug. Non-pressurised return movement necessary! Max. delivery rate of pump 35 l/min	7 / 15	15	18	~ 374

ⓘ Order right now: **Hydraulic log lifting device and rope winch** – only with initial equipment! See page 118.

HydroCombi 20

More power for higher hourly output for the splitting of metre-long logs.

Article no.	Type	Drive	Max. punching speed cm/s		Splitting power t	Weight kg
			Splitting step 1/2	Return		
M6230MR	PZG-R ①	Tractor, power consumption 21 kW, oil pump with max. capacity 50 l/min – built-in, recommended PTO speed 300–380 rpm	11 / 22	21	20	~ 508
M6233MR	E5,5 D-R ③	5.5 kW E-motor 400V, S6, CEE 16A, double-stage pump	5 / 16	16	20	~ 548
M6234MR	PZG-E5,5 D-R ①③	• Tractor, power consumption 21 kW • 5.5 kW E-motor 400V, S6, CEE 16A, Double-stage pump	11 / 22 5 / 16	21 16	20	~ 574

ⓘ Order right now: **Hydraulic log lifting device and rope winch** – only with initial equipment! See page 118.

HydroCombi 16/20 with chassis

Mobile on axle for powerful mobile use with petrol engine, diesel engine or E-motor.

! Special

Article no.	Type	Drive	Max. punching speed cm/s		Splitting power t	Weight kg
			Splitting step 1/2	Return		
M6203MSAR	16B9,7D-R-PKW	9.7 kW Briggs & Stratton petrol engine, consumption: 2.0–2.5 l/h, tank capacity: 8.5 l, double-stage pump	3 / 16	14	16	~ 730
M6248MSAR	20B15-R-PKW	15 kW 4-stroke Honda petrol engine, E-starter incl. hour counter, consumption: 3.0–3.5 l/h, tank capacity: 30 l	6 / 13	11	20	~ 916
M6348MSAR	20D17-R	17 kW Lombardini diesel engine, E-starter, consumption: 2.5–3.0 l/h, tank capacity: 30 l	6 / 13	11	20	~ 980
ED	Surcharge for additional e-drive 5.5 kW, 400V with double-stage pump for M6203MSAR and M6248MSAR					

ⓘ Order right now: **Hydraulic log lifting device** – only with initial equipment! See page 118.

HydroCombi 22

Hydraulic splitter for metre-long logs for professional applications.

Article no.	Type	Drive	Max. punching speed cm/s		Splitting power t	Weight kg
			Splitting step 1/2	Return		
M6241MR	PZG-R ^①	Tractor, power consumption 23 kW, oil pump with max. capacity 60 l/min – built-in, recommended PTO speed 300–450 rpm	11 / 23	20	22	~ 556
M6243MR	E7,5 D-R ^③	7.5 kW E-motor 400V, S6, CEE 16A, double-stage pump	6 / 20	18	22	~ 618
M6244MR	PZG-E7,5 D-R ^{①③}	• Tractor, power consumption 23 kW • 7.5 kW E-motor 400V, S6, CEE 16A, double-stage pump	11 / 23 6 / 20	20 18	22	~ 648

⚠ Order right now: **Hydraulic log lifting device and rope winch** – only with initial equipment! See page 118.

HydroCombi 24 Turbo

Especially fast and powerful splitter for metre-long logs for professional applications.

Article no.	Type	Drive	Max. punching speed cm/s		Splitting power t	Weight kg
			Splitting step 1/2	Return		
M2450M	PZG-Turbo ^①	Tractor, power consumption 26 kW, oil pump with max. capacity 60 l/min – built-in, recommended PTO speed 300–380 rpm	11 / 18	42	24	~ 660
M2452M	E7,5 DTurbo ^③	7.5 kW E-motor 400V, S6, CEE 16A, double-stage pump	5 / 16	38	24	~ 680
M2454M	PZG-E7,5 D-Turbo ^{①③}	• Tractor, power consumption 26 kW • 7.5 kW E-motor 400V, S6, CEE 16A, double-stage pump	11 / 18 5 / 16	42 38	24	~ 705

⚠ Order right now: **Hydraulic log lifting device and rope winch** – only with initial equipment! See page 118.

HydroCombi 26

Most powerful splitter for metre-long logs for professional applications.

Article no.	Type	Drive	Max. punching speed cm/s		Splitting power t	Weight kg
			Splitting step 1/2	Return		
M2140MR	PZG-R ^①	Tractor, power consumption 24 kW, Oil pump with max. capacity 60 l/min – built-in, recommended PTO speed 300–450 rpm	10 / 23	17	26	~ 616
M2145MR	E7,5 D-R ^③	7.5 kW E-motor 400V, S6, CEE 16A, double-stage pump	6 / 20	15	26	~ 646
M2143MR	PZG E7,5 D-R ^{①③}	• Tractor, power consumption 24 kW • 7.5 kW E-motor 400V, S6, CEE 16A, double-stage pump	10 / 23 6 / 20	17 15	26	~ 684

⚠ Order right now: **Hydraulic log lifting device and rope winch** – only with initial equipment! See page 118.

- ① Tractor drive: Universal joint shaft required, three-point linkage cat. I + II.
- ② Tractor hydraulics: Three-point linkage cat. I + II. Universal joint shaft required; size 3 hydraulic sleeve for forward and return movement required. Complete with connection tubes and hydraulic plug. Non-pressurised return movement necessary! Max. delivery rate of pump 16/30/35 l/min (varies depending on model!)
- ③ E-motor: Motor circuit breaker and phase inverter
- ④ Tractor: Three-point linkage category I + II

Special equipment for HydroCombi

Valid for initial equipment, incl. assembly.

Article no.	Name	Hydro-Combi 10/13-V2	Hydro-Combi 16/18/20	Hydro-Combi 22	Hydro-Combi 24 Turbo	Hydro-Combi 26
R	Special equipment "Autospeed" for pressure-controlled toggling between the advance speeds. Only possible with initial equipment!	○	✓	✓	✓	✓
H	Hydraulic log lifting device (instead of mechanical lifting device), controlled via valve. No GS-mark!		○	○	○	○
SA	Road chassis consisting of: Rubber spring-borne axle 80 km/h, with ball hitch, overrun and parking brake, support wheel, lights; machine can be uncoupled		○	○	○	○
X	Support wheel instead of support foot (for HydroCombi 13-V2 with chassis)	○				
B	Surcharge parking brake (for HydroCombi 13-V2 with chassis)	○				
D	Three-point linkage for transporting machines with E-drive, incl. driving device (F0003117)	○				

Rope winches for HydroCombi

With hydraulic drive, with free rope run-out with soft start and gentle lowering, automatic rope stop in stop position. Cylinder and winch can be lowered to normal transport height. Prick punch included as standard, gripping pliers and log-hauling hooks optionally available. Special equipment for initial equipment incl. assembly, retrofitting on request (serial number of machine required).

Article no.	Name	Hydro-Combi 16/18/20	Hydro-Combi 22	Hydro-Combi 24 Turbo	Hydro-Combi 26
HC*	Rope winch 500, manually activated, 20 m rope, 500 kg pulling force. Rope run-out max. 80 cm/s, weight approx. 70 kg	○			
HW*	Rope winch 1000, manually activated, 40 m rope, 1,000 kg pulling force. Rope run-out unlimited, weight approx. 130 kg	○	○		○
FW*	Rope winch 1000, radio-activated, 40 m rope, 1,000 kg pulling force, operation with standard batteries/rechargeable batteries, rope run-out unlimited, weight approx. 130 kg	○	○		○
WF*	Rope winch 1000, radio-activated, 40 m rope, 1,000 kg pulling force, rope run-out unlimited, rope winch cannot be lowered; weight approx. 130 kg			○	
F0003746	Gripping pliers for rope winch, for log diameters up to 65 cm, approx. 9 kg	○	○	○	○
F0003747	Gripping pliers for rope winch, for log diameters up to 80 cm, approx. 14.5 kg	○	○	○	○
F0002605	Two log-hauling hooks with chain 1 m	○	○	○	○

* Can only be used with PTO operation, cannot be used on PTO+E machines in E-mode! 12V connection on tractor required.

○ optionally available ✓ standard

Accessory equipment for HydroCombi

Article no.	Name	Hydro-Combi 10/13-V2	Hydro-Combi 16/18	Hydro-Combi 20/22	Hydro-Combi 24 Turbo	Hydro-Combi 26
F0003186	Push-on floor grid, anti-slip	○				
F0003048	Push-on floor grid, anti-slip		○			
F0003049	Push-on floor grid, anti-slip			○	○	○
F0003117	Driving device for PS/PTO/PTO+E drive	○				
Z2000635	Walterscheid W-Line universal joint shaft	○				
Z2000636	Walterscheid W-Line universal joint shaft		○	○		
Z2000653	Walterscheid W-Line universal joint shaft				○	○
F0002519	Timber support table for splitting short timber (33/55 cm), with stop in stop position	○				
F0002538	Timber support table for splitting short timber (35/55 cm), with stop in stop position		○			
F0002564	Timber support table for splitting short timber (35/55 cm), with stop in stop position HydroCombi 20			○		
F0002554	Timber support table for splitting short timber (35/55 cm), with stop in stop position HydroCombi 22/24/26			○	○	○
F0003357	Power saw bracket: Safe transportation and handy storage for the power saw	○	○	○	○	○
F0003463	Power saw bracket: Safe transportation and handy storage for the power saw for chassis models	○				
F0003570	Lumber pick bracket (without lumber pick)	○	○	○	○	○
F0003584	Lumber pick bracket HydroCombi 13 with chassis (without lumber pick)	○				
F0001482	Hour counter for machines driven by petrol engine (with HydroCombi 20, standard with chassis)	○	○	✓		
F0002179	Hour counter for machines with E-Drive	○	○	○	○	○
F0001806	Hour counter for machines with PTO-drive (Reed contact), with speed display	○	○	○	○	○

○ optionally available ✓ standard

AutoSplit Overview

AutoSplit	250
Splitting power max. t	5
Possible billet lengths cm	12-20
Weight min/max kg	630 / 740
Power max. m ³ /h	2
Bags max. pcs./h	~ 100
Source timber	Round wood and four-by-twos, boards or slabs
Packaging system	loose or stacked
Drive	
PTO ^①	●
E-motor ^②	●
PTO / E-motor (combination) ^{①②}	●
Petrol	●
Special equipment	
Machine version for short logs 12–15 cm	○
Three-point linkage for electr. machines	○
Oil cooler for continuous operation (from 4 hrs.)	○
Single edge for kindling made of boards or wood slabs	○
Accessory equipment	
Hour counter	○

● available

○ optionally available

① Tractor drive: Three-point linkage cat. I + II, universal joint shaft required

② E-motor: Motor circuit breaker and phase inverter

AutoSplit 250

Produces and packs kindling ready for use.

! Special

Article no.	Type	Drive	Power	Splitting cycle sec	Splitting power t	Weight kg
M6805	E 7,5 ^②	7.5 kW E-motor 400V, S6, CEE 16A	max. 1.5 m ³ /h (apx. 75 bags)	~ 4	5	~ 635
M6835	E 3D ^②	3kW E-motor 230V, S6, double-stage pump	max. 1 m ³ /h (apx. 50 bags)	~ 5	4.5	~ 630
M6800C	E 9 ^②	9 kW E-motor 400V, S6, CEE 32A, incl. oil cooler	max. 2 m ³ /h (apx. 100 bags)	~ 3	5	~ 670
M6810	PZG ^①	Tractor, PTO speed 380 rpm, power con- sumption 10 kW	max. 2 m ³ /h (apx. 100 bags)	~ 3	5	~ 650
M6815	PZG-E 9 ^{①②}	• Tractor • 9 kW E-motor 400V, S6, CEE 32A	max. 2 m ³ /h (apx. 100 bags)	~ 3	5	~ 725
M6820	PZG-E 7,5 ^{①②}	• Tractor	max. 2 m ³ /h (apx. 100 bags)	~ 3	5	~ 700
		• 7.5 kW E-motor 400V, S6, CEE 16A	max. 1.5 m ³ /h (apx. 75 bags)	~ 4		
M6845	PZGE- E3D ^{①②}	• Tractor	max. 2 m ³ /h (apx. 100 bags)	~ 3	5	~ 695
		• 3kW E-motor 230V, S6, Double-stage pump	max. 1 m ³ /h (apx. 50 bags)	~ 5		
M6830	B 15	15 kW Honda petrol engine with E-starter, consumption: 3.0-3.5 l/h, tank capacity: 30 l	max. 2 m ³ /h (apx. 100 bags)	~ 3	5	~ 740

Packaging systems and accessory equipment for AutoSplit 250

Packaging systems suitable for the basic machine (without packaging unit ex works) for loose and/or stacked billets.

! Special

Article no.	Name
F0002827	Packaging chute (for stacked packaging)
Z9900550	Mesh bag 10 kg (40 x 60 cm), 100 pcs. (for stacked and loose packaging)
F0002828	Movable double frame (for loose packaging)
Z9900554	Mesh bag 25 kg (50 x 80 cm), 100 pcs. (only for loose packaging)
F0002840	Screw-on set for switching from long to short logs 12–15 cm
Z2000636	Walterscheid W-Line universal joint shaft
F0002179	Hour counter for machines with E-drive
F0001806	Hour counter for machines with PTO-drive (Reed-contact), with speed display

Special equipment for AutoSplit 250

Possible for initial equipment, prices incl. assembly.

! Special

Article no.	Name
D	Three-point linkage for machines with E-motor
E	Single edge for kindling made of boards or wood slabs
S	Machine version for short logs 12–15 cm
C	Oil cooler for continuous operation (from 4 hrs.)

Manual Saws Overview

	Tilting table saw	Roller-bench saw	Tilting saw
Application	Firewood cutting and lengthwise cutting	Firewood cutting and optionally lengthwise cutting	Firewood cutting
Changeover time from firewood to lengthwise cutting	5 sec	5 min	–
Chromium alloy saw blade 70 cm	✓	✓	✓
WIDIA circular saw blade	○	○	○
Cutting diameter max. cm	24	24	24
Lengthwise cutting ø max. cm	21.5	21.5	–
Longitudinal and transverse installation with PTO drive	✓	✓	
Drive			
PTO ^①	●	●	●
E-motor ^②	●	●	●
PTO / E-motor (combination) ^{① ②}	●	●	●
Petrol	●		●
Transportation			
hand-gear trolley, with machines with E-motor	✓	✓	✓
Three-point linkage ^① and transport aid, for machines with PTO drive	✓	✓	✓
Accessory equipment			
Hip roller			○
Longitudinal cut equipment	✓	○	
Tilting extension	○		○
Add-on conveyor belt see billet handling on page 142	○	○	○
Debarking blade	○	○	
Special equipment			
Safety handle for GS model			○

① Three-point linkage cat. I + II, incl. transport aid
Driven by tractor (req. drive speed: 540 rpm) or combined with E-motor, switch with phase inverter. Universal joint shaft required

● available

○ optionally available

② E-motor: Switch with motor circuit breaker and phase inverter

✓ standard

Tilting table saw with direct drive

The all-round saw with direct drive for private households and farms.

Article no.	Type	Drive	Weight kg
M1230H	TWE 5,5 ²	5.5 kW E-motor 400V, S6, CEE 16A	~ 210

Tilting table saw with V-belt drive

For optimum cutting speed and higher hourly output.

Article no.	Type	Drive	Weight kg
M1211H	TWKE 5,5 ²	5.5 kW E-motor 400V, S6, CEE 16A	~ 229
M1212H	TWKE 7,5 ²	7.5 kW E-motor 400V, S6, CEE 16A	~ 239
M1213H	TWKE 9 ²	9 kW E-motor 400V, S6, CEE 32A	~ 243

Tilting table saw with PTO drive

The all-round circular saw with angular gear and V-belt drive for private households and farms

Article no.	Type	Drive	Weight kg
M1215H	TWZ ¹	Tractor	~ 273
M1219H	TWZE 5,5 ^{1 2}	• Tractor • 5.5 kW E-motor 400V, S6, CEE 16A	~ 310
M1218H	TWZE 7,5 ^{1 2}	• Tractor • 7.5 kW E-motor 400V, S6, CEE 16A	~ 320
M1217H	TWZE 9 ^{1 2}	• Tractor • 9 kW E-motor 400V, S6, CEE 32A	~ 325

Tilting table saw with petrol engine

The all-round circular saw with petrol engine and V-belt drive for private households and farms

Article no.	Type	Drive	Weight kg
M1250H	TWB 9,7	9.7 kW (13.2 HP) Briggs & Stratton Vanguard 4-stroke petrol engine, electric starter system, consumption: 2.0-2.5 l/h, tank capacity: 8.5 l	~ 300

Roller-bench saw with direct drive

Sturdy roller-bench circular saw with direct drive.

Article no.	Type	Drive	Weight kg
M1117F	RE 5,5 ²	5.5 kW E-motor 400V, S6, CEE 16A	~ 167

Order right now:

WIDIA circular saw blade instead of standard saw blade with 84 teeth for 50% more cutting power on hardwood and considerable noise reduction and much longer service life.

Article no. "W"

¹ Three-point linkage cat. I + II, incl. transport aid
Driven by tractor:
(universal joint shaft required, req. Drive speed 540 rpm) or combined with E-motor, switch with phase inverter

² E-motor: Switch with motor circuit breaker and phase inverter

Roller-bench saw with V-belt drive

For optimum cutting speed and higher hourly output.

Article no.	Type	Drive	Weight kg
M1027F	RKE 5,5 ^②	5.5 kW E-motor 400V, S6, CEE 16A	~ 183
M1029F	RKE 7,5 ^②	7.5 kW E-motor 400V, S6, CEE 16A	~ 197
M1030F	RKE 9 ^②	9 kW E-motor 400V, S6, CEE 32A	~ 200

Roller-bench saw with PTO drive

The all-round circular saw with angular gear and V-belt drive for private households and farms

Article no.	Type	Drive	Weight kg
M1017H	RZ ^①	Tractor	~ 252
M1035H	RZE 5,5 ^{①②}	• Tractor • 5.5 kW E-motor 400V, S6, CEE 16A	~ 289
M1036H	RZE 7,5 ^{①②}	• Tractor • 7.5 kW E-motor 400V, S6, CEE 16A	~ 295
M1038H	RZE 9 ^{①②}	• Tractor • 9 kW E-motor 400V, S6, CEE 32A	~ 296

Tilting saw with direct drive

The light-weight and sturdy firewood saw.

Article no.	Type	Drive	Weight kg
M1361H	WE 5,5 ^②	5.5 kW E-motor 400V, S6, CEE 16A	~ 147

Tilting saw with petrol engine

With V-belt drive via 4-stroke petrol engine.

Article no.	Type	Drive	Weight kg
M1245H	WB 9,7	9.7 kW (13.2 HP) Briggs&Stratton Vanguard 4-stroke petrol engine, electric starting system engine, consumption: 2.0-2.5 l/h, tank capacity: 8.5 l	~ 213

Tilting saw with V-belt drive

For optimum cutting speed and higher hourly output.

Article no.	Type	Drive	Weight kg
M1356H	WKE 5,5 ^②	5.5 kW E-motor 400V, S6, CEE 16A, two V-belts	~ 175
M1349H	WKE 7,5 ^②	7.5 kW E-motor 400V, S6, CEE 16A, two V-belts	~ 199



Order right now:

WIDIA circular saw blade instead of standard saw blade with 84 teeth for 50% more cutting power on hardwood and considerable noise reduction and much longer service life.

Article no. "W"



^① Three-point linkage cat. I + II, incl. transport aid
Driven by tractor:
(universal joint shaft required, req. Drive speed 540 rpm)
or combined with E-motor, switch with phase inverter

^② E-motor: Switch with motor circuit breaker and phase inverter

Tilting saw with PTO drive

The all-round circular saw with angular gear and V-belt drive for private households and farms

Article no.	Type	Drive	Weight kg
M1365H	WZ ^①	Tractor	~ 197
M1370H	WZE 5,5 ^{①②}	• Tractor • 5.5 kW E-motor 400V, S6, CEE 16A	~ 249
M1379H	WZE 7,5 ^{①②}	• Tractor • 7.5 kW E-motor 400V, S6, CEE 16A	~ 262
K	Saw shaft coupling with brake, manually controlled to disconnect the PTO-drive and avoid drive damage (standard with special equipment "S" surcharge for GS model)		~ 5

① Three-point linkage cat. I + II, incl. transport aid
Driven by tractor:
(universal joint shaft required, req. Drive speed 540 rpm) or combined with E-motor, switch with phase inverter

② E-motor: Switch with motor circuit breaker and phase inverter

Special equipment

Valid for initial equipment, incl. assembly.

Article no.	Name	Tilting table saw	Roller-bench saw	Tilting saw
S	Surcharge for GS model with safety handle and integrated safety casing (on machines with PTO-drive, option K is included)			○
W	Surcharge for circular saw with a WIDIA circular saw blade, 84 teeth (Z1300103), instead of the standard circular saw blade. Advantage: Cutting power increased by 50% for hardwood, noise-reducing	○	○	○
F0001817	Tractor chassis 10 km/h, for PTO/PTO+E-drive	○	○	
F0003732	Tractor chassis 10 km/h, for PTO/PTO+E-drive, model "H/HS"			○

○ optionally available

Accessory equipment

Article no.	Name	Tilting table saw	Roller-bench saw	Tilting saw
Z2000635	Walterscheid W-Line universal joint shaft	○	○	○
F0003775	Hip roller			○
F0003301	Lengthwise cutting equipment for roller-bench saws with saw blade diameter 60–70 cm, comprising splitting wedge, splitting wedge holder, protective cover and longitudinal stop		○	
Z1310060	Debarking blade ø 60 cm, for pointing and debarking logs (is installed instead of the circular saw blade)	○	○	
F0002791	Chip extraction connection 10 cm for E-drive, model "G/H"	○		
F0002860	Chip extraction connection 10 cm for E-drive, model "F/H"		○	
F0003773	Chip extraction connection 10 cm for E-drive, model "H/HS"			○
F0003774	Chip extraction connection 10 cm for PTO/PTO+E-drive, model "H/HS"			○
F0002908	Chip extraction connection 10 cm for PTO/PTO+E-drive, model "G/H"	○		
M7380	Chip extraction blower, powerful and quiet with 2-m suction hose ø 15 cm and 8-m pressure hose ø 10 cm, hand-gear trolley. Weight: 65 kg.	○	○	○
F0003733	Hour counter for PTO-/PTO/E-drive (Reed contact)			○
F0003540	Hour counter for machines with PTO-/PTO/E-drive (Reed contact)	○	○	
F0003092	Transport aid for E-motor, model "H" (standard with PTO-/PTO/E- and B-drive)	○		
F0003835	Transport aid for E-motor, model "H/HS" (standard with PTO-/PTO/E- and B-drive)			○
F0002108	Tilting extension with rollers, model "G/H"	○		
F0003779	Tilting extension with rollers (see picture page 47), model "H/HS"			○

○ optionally available

Automatic Saws Overview

	EasyCut	SmartCut
Mode of operation	Semi-automatic	Fully automatic
Possible annual output cubic metres	250	500
WIDIA saw blade 70 cm, 84 teeth	✓	
WIDIA saw blade 70 cm, 66 teeth, in reinforced design		✓
Cutting ø max. cm	20 (billet quality D15–D20)	20 (billet quality D15–D20)
Billet length max. cm	120	120
Weight min. / max. kg	500 / 750	750 / 920
Cutting length adjustment cm	15/18/20/25/27/30/ 33/35/40/45/50/52	15/18/20/25/27/30/ 33/35/40/45/50/52
Drive		
PTO ^①	●	●
PTO / E-motor (combination) ^{①②}	●	●
Transportation		
Stationary model, with E-drive		
Three-point linkage	✓ ^③	✓
Special equipment		
Hydraulic adjustment of three- point linkage		○
Saw shaft coupling	○	
Comfort package: Senso-Start system		○
Accessory equipment		
Conveyor belt 1.5 m	○	○
Conveyor belt 4 m (1-part telescopic)	✓	✓
Conveyor belt 5 m (2-part telescopic)	○	○
Hour counter	○	○

① Tractor drive: Universal joint shaft required,
three-point linkage cat. I or II

② Combination:
Tractor drive: Universal joint shaft required,
three-point linkage cat. I or II
E-motor: Switch with motor circuit breaker and phase inverter

③ Tractor drive: Three-point linkage cat I + II
for transport position and work position staggered by 30 cm
available, universal joint shaft required

● available

○ optionally available

✓ standard

EasyCut

The manually activated, semi-automatic saw with gravity feed and longitudinal stop.

! Special

Article no.	Type	Drive	Weight kg
M1445	ZS ^①	Tractor, PTO speed 540 rpm Conveyor belt driven by tractor hydraulics, max. 10 l/min.	~ 570
M1450	Z ^①	Tractor, PTO speed 540 rpm Conveyor belt driven by hydraulic system of the machine	~ 650
M1470	ZE7,5 ^②	• Tractor, PTO speed 540 rpm • 7.5 kW E-motor 400V, S6, CEE 16A	~ 700

Data incl. telescopic conveyor belt 4m (option F4) and WIDIA circular saw blade

Conveyor belts EasyCut

With telescopic conveyor belt 4 m (F4) as a standard

! Special

Article no.	Name	Max. ejection height m	Weight kg
F15	Reduced price for conveyor belt 1.5 m	1	- 70
F4	1-part telescopic conveyor belt 4 m, standard	2.4	0
F5	Surcharge for 2-part telescopic conveyor belt 5 m with hydraulic height adjustment	2.8	+ 50

Special equipment EasyCut

Only valid for initial equipment, incl. assembly.

! Special

Article no.	Name
K	Saw shaft coupling manually controlled to disconnect the PTO-drive and avoid drive damage

Accessory equipment EasyCut

Article no.	Name
Z2000631	Universal joint shaft with freewheel (for use with tractors with PTO clutch and brake and/or to avoid drive damage)
Z2000636	Walterscheid universal joint shaft
M7380	Chip extraction blower E3,0-400 3.0 kW E-drive 400 V, S6, CEE 16A, with 2-m suction hose (ø 15 cm) and 8-m pressure hose (ø 10 cm), with hand-gearred trolley. Weight: 65 kg.
F0003527	Hour counter for PTO- and PTO/E-drive
F0003571	Conversion kit from conveyor belt drive via tractor hydraulics to conveyor belt drive via hydraulic system of the machine
Z1300098	WIDIA circular saw blade ø 70 cm (84 teeth, 4.6 mm thick), standard

SmartCut

Fully automatic firewood saw with convenient charging mechanism.

! Special

Article no.	Type	Drive	Weight kg
M1453	Z ^①	Tractor, PTO speed 480 rpm, power consumption min. 15 kW, 2.4-second cycle, optional switch-over delay	~ 820
M1473	ZE11 ^②	· Tractor, PTO speed 480 rpm · 11 kW E-motor 400V, S6, CEE 32A 2,4 second cycle, optional switch-over delay	~ 870

Data incl. telescopic conveyor belt 4 m (option F4) and WIDIA circular saw blade

Conveyor belts SmartCut

The machine is equipped with a telescopic conveyor belt 4 m (F4) as a standard.

! Special

Article no.	Name	Max. ejection height m	Weight kg
F15	Reduced price for conveyor belt 1.5 m	1	- 70
F4	1-part telescopic conveyor belt 4 m, standard	2.4	0
F5	Surcharge for 2-part telescopic conveyor belt 5 m with hydraulic height adjustment	2.8	+ 50

Special equipment SmartCut

Only valid for initial equipment incl. assembly.

! Special

Article no.	Name
S	Comfort package with SensoStart system: By means of optical sensors, the SensoStart system senses whether a billet has reached the timber longitudinal stop, and starts the cutting process automatically. Driven by tractor: Universal joint shaft and 3-pin permanent power plug 12 V required!
DV	Hydraulic adjustment of the three-point linkage by 30 cm for SmartCut & SmartCut Comfort Advantage: simple road transport with reduced protrusion from the centre of the three-point linkage (1.15/1.4 m instead of 0.85/1.7 m)

Accessory equipment SmartCut

Article no.	Name
Z2000631	Universal joint shaft with freewheel (for use with tractors with PTO clutch and brake and/or to avoid drive damage)
Z2000636	Walterscheid universal joint shaft
M7380	Chip extraction blower E3,0-400 3.0 kW E-drive 400 V, S6, CEE 16A, with 2-m suction hose (ø 15 cm) and 8-m pressure hose (ø 10 cm), with hand-gear trolley. Weight: 65 kg.
F0003527	Hour counter for PTO- and PTO/E-drive
Z1300101	WIDIA circular saw blade 70 cm. Reinforced design especially for fully automatic circular saws, 66 teeth, standard.

- ① Tractor drive:
Universal joint shaft required, three-point linkage cat. I or II
- ② Combination:
Tractor drive: Universal joint shaft required, three-point linkage cat. I or II
E-motor: switch with motor circuit breaker and phase inverter
- ③ Tractor drive:
Three-point linkage cat I + II for Transport position and work position staggered by 30 cm available, universal joint shaft required

Saw blades for manual circular saws

For firewood cutting, bore 30 mm

Article no.	Drive
Z1300042	Circular saw blade 50 cm, 72 teeth, WIDIA
Z1300050	Circular saw blade 60 cm, 56 teeth, chromium alloy
Z1300072	Circular saw blade 60 cm, 40 teeth, WIDIA
Z1300073	Circular saw blade 60 cm, 78 teeth, WIDIA
Z1300080	Circular saw blade 70 cm, 56 teeth, chromium alloy
Z1300105	Circular saw blade 70 cm, 42 teeth, WIDIA
Z1300103	Circular saw blade 70 cm, 84 teeth, WIDIA
SO265	Surcharge for bigger bore

Reinforced saw blades for semi- and fully automatic circular saws

For firewood cutting, bore 30 mm

Article no.	Drive
Z1300098	Circular saw blade 70 cm, 84 teeth, WIDIA (for CutMaster Comfort, EasyCut)
Z1300101	Circular saw blade 70 cm, 66 teeth, WIDIA (for SmartCut)
SO265	Surcharge for bigger bore

Reinforced saw blades for split cutters

For log wood cutting

Article no.	Drive
Z1300098	Circular saw blade 70 cm, 84 teeth, WIDIA, bore 30 mm
Z1300107	Circular saw blade 75 cm, 90 teeth, WIDIA, bore 30 mm
Z1300121	Circular saw blade 80 cm, 96 teeth, WIDIA, bore 30 mm
Z1300130	Circular saw blade 90 cm, 96 teeth, WIDIA, bore 40 mm
Z1300191	Circular saw blade 100 cm, 106 teeth, WIDIA, bore 50 mm
SO265	Surcharge for bigger bore

Saw blades and debarking blade for working on the circular saw bench

Hannibal saw blades are ideally suited for lengthwise cutting and split cutting, also with little low motor power. Bore 30 mm.

Article no.	Drive
Z1300031	Circular saw blade 50 cm, 60 teeth, WIDIA, also suited for cutting firewood
Z1300045	Hannibal circular saw blade 50 cm, 42 teeth, chromium alloy
Z1300043	Hannibal circular saw blade 50 cm, 48 teeth, WIDIA
Z1300055	Circular saw blade 60 cm, 80 teeth, chromium alloy
Z1300070	Hannibal circular saw blade 60 cm, 40 teeth, chromium alloy
Z1300069	Hannibal circular saw blade 60 cm, 40 teeth, WIDIA
Z1300081	Circular saw blade 70 cm, 80 teeth, chromium alloy
Z1300100	Hannibal circular saw blade 70 cm, 40 teeth, chromium alloy
Z1300099	Hannibal circular saw blade 70 cm, 40 teeth, WIDIA
Z1310060	Debarking blade 60 cm. For pointing and debarking logs on the circular saw bench
SO265	Surcharge for bigger bore

SpaltFix Overview

SpaltFix	S-280	S-360	K-440	K-540
Log diameter max. cm	28	35	45	55
Splitting power max. t	10	12	18	35
Number of billets per cycle max.	6	8	12	18
Billet length max. cm	50	50	50	50
Sawing system	WIDIA saw blade ø 70 cm	WIDIA saw blade ø 90 cm	SuperCut chainsaw 75 cm	SuperCut chainsaw 75 cm
Timber advance	Conveyor belt 2 m	Conveyor belt 2 m	Hydraulic advance with 2 intake rollers	Hydraulic advance with 2-4 intake rollers
AutoSpeed	✓	✓	✓	✓
OnlyCut		✓	○	○
Drive				
E-motor kW	15	22	22	37
PTO kW (power consumption)	15	27	20	35
Diesel kW		Hatz Silent Pack 22	Hatz Silent Pack 23	Hatz Silent Pack 36/45
Oil cooler for continuous operation		○	○	✓
Operation				
Machine control	Single-handed	One-hand joystick	Two-hand joystick	Two-hand joystick
Log manipulator			✓	✓
Log fixing	Manual clamp	Hydraulic clamp	Hydraulic double gripper	Hydraulic double gripper
Saw blade advance	Manual	Hydraulic	Hydraulic	Hydraulic
Longitudinal stop with optional ventilation	○	✓	✓	✓
Timber transfer to splitting unit	Gravity	Gravity	Hydraulic rocker	Hydraulic rocker
Splitting knife				
Splitting knife adjustment	Manual	Hydraulic	Hydraulic	Hydraulic
Transportation				
Stationary model	✓	✓	✓	✓
Three-point linkage cat.II	✓	✓		
Tractor chassis		○	○	○
Road chassis				○
Conveyor belt				
Ejection height 2.5 m	✓	✓		
Var. variants with ejection heights 1-3.5 m	○	○	○	○
Special equipment				
Saw-Control		○		
Split-Control			○	○
Hydraulic package for timber support stand with lifting device, and/or for longitudinal/cross conveyor	○	✓	✓	✓
Log conveying systems				
Log support with lifting device	○	○		
Log conveyor with chain and cross conveyor	○	○		
Chain/roller conveyor	○	○	○	○
Cross conveyor	○	○	○	○
Log lifting device		○	○	
Stage conveyor		○	○	○
Loading crane			○	○
LogDeck / LogSep				○

K-550	K-600 Vario	K-650 Vario	SpaltFix
55	60	65	Log diameter max. cm
(36) 41	16	16	Splitting power max. t
18/8	60	60	Number of billets per cycle max.
50/100	50 (adjustable)	50 (adjustable)	Billet length max. cm
SuperCut chainsaw 75 cm	SuperCut chainsaw 90 cm	SuperCut chainsaw 90 cm	Sawing system
Hydraulic double gripper	Hydraulic advance with 2 intake rollers	Hydraulic advance with 2-4 intake rollers	Timber advance
✓			AutoSpeed
○		○	OnlyCut
			Drive
(37 + 37) 37 + 45	22 + 22	22 + 22	E-motor kW
90	45	○	PTO kW (power consumption)
John Deere 100	Hatz Silent Pack 45	○	Diesel kW
✓	✓	✓	Oil cooler for continuous operation
			Operation
Two-hand joystick	Two-hand joystick /automatic	Two-hand joystick /automatic	Machine control
✓	✓	✓	Log manipulator
Hydraulic double gripper	Hydraulic double gripper	Hydraulic double gripper	Log fixing
Hydraulic	Hydraulic	Hydraulic	Saw blade advance
✓	✓	✓	Longitudinal stop with optional ventilation
Hydraulic rocker	Hydraulic rocker, buffer belt	Hydraulic rocker, buffer belt	Timber transfer to splitting unit
			Splitting knife
Hydraulic	not req. for system-related reasons	not req. for system-related reasons	Splitting knife adjustment
			Transportation
✓	✓	✓	Stationary model
			Three-point linkage cat.II
○			Tractor chassis
○			Road chassis
			Conveyor belt
			Ejection height 2.5 m
○	○	○	Var. variants with ejection heights 1-3.5 m
			Initial equipment
			Saw-Control
○		✓	Split-Control
✓	✓	✓	Hydraulic package for timber support stand with lifting device, and/or for longitudinal/cross conveyor
			Log conveying systems
			Log support with lifting device
			Log conveyor with chain and cross conveyor
	○	○	Chain/roller conveyor
○	○	○	Cross conveyor
			Log lifting device
			Stage conveyor
○			Loading crane
○	○	○	LogDeck / LogSep

○ optionally available ✓ standard

SpaltFix S-280

The semi-automatic split cutter, an entry-level mobile model.

! Special

Article no.	Type	Drive	Max. punching speed cm/s		Splitting power t	Weight kg
			Splitting step 1/2	Return		
M3657	Z Turbo	Tractor, power consumption 15 kW, built-in oil pump with capacity 49/103 l/min at 480 rpm	16 / 34	31	10	~ 1,000
M3677	ZE15 Turbo	· Tractor · 15 kW E-motor 400V, S6, CEE 32A	16 / 34	31	10	~ 1,200

SpaltFix S-360

Fully-automatic split cutter with compact, powerful and sturdy design.

! Special

Article no.	Type	Drive	Max. punching speed cm/s		Splitting power t	Weight kg
			Splitting step 1/2	Return		
M3857	Z	Tractor, power consumption 27 kW, oil pump with capacity 66/140 l/min at 480 rpm	22/ 47	42	12	~ 1,380
M3877	ZE22D	· Tractor · 22 kW E-motor 400V, S6, CEE 32A, pressure switch-off pump	22/ 47	42	12	~ 1,500
M3882	D22D	Diesel engine Hatz 3L41C, Pressure switch-off pump	22/ 47	42	12	~ 1,700

Conveyor belts SpaltFix S

The machine is equipped with a 4 m conveyor belt as standard.

! Special

Article no.	Name	Weight kg	SpaltFix S-280	SpaltFix S-360
F0	Reduced price in case of preparation for conveyor belt installation (valve block and hydraulic piping)	- 180	○	
F15	Reduced price for single-part ejector belt 1.5 m, hydraulic drive, max. ejection height 1.1 m	- 120	○	
F4	Reduced price for single-part ejector belt 4 m, hydraulic drive, max. ejection height 2.5 m	0	✓	
F15	Reduced price for single-part ejector belt 1.5 m, hydraulic drive, max. ejection height 1.0 m	- 100		○
KF4	Angled conveyor belt length 4 m, hydraulic drive, max. ejection height 2.5 m	0		✓
KF5	Surcharge for angled conveyor belt length 5 m, hydraulic drive, max. ejection height 3.0 m	+ 50		○

○ optionally available ✓ standard

Special equipment SpaltFix S

For initial equipment incl. assembly.

! Special

Article no.	Name	SpaltFix S-280	SpaltFix S-360
H	Hydraulic package for attaching timber support stand with log lifting device	○	
P	Hydraulic package for attaching longitudinal and cross conveyor or timber support stand (incl. art. no. H)	○	
A	Longitudinal stop with optional ventilation	○	
C	Oil cooler, recommended for continuous operation of the machine over 4 hours. With PTO-drive, 12V voltage supply from tractor required		○
X	Saw control for automatic monitoring of the saw blade rotational speed to avoid power peaks and/or overload of the saw, incl. hour counter. Voltage supply (12V) from tractor required		○
Z	Additional hydraulic connection – for M3857 SpaltFix S-360 with tractor drive – 15 l/min–max.180 bar. Comprising: 3-way hydraulic pump, hydraulic valve, size 2 quick-connects. Oil cooler: Voltage supply (12V) from tractor required.		○

○ optionally available ✓ standard

Longitudinal chassis and loading solutions S-360

For initial equipment incl. assembly.

! Special

Article no.	Name	Weight kg	SpaltFix S-360
T	Tractor chassis max. 10 km/h without brakes. With parking brake, drawbar eye 4 cm, hitch height approx. 80 cm, max. drawbar load 1,350 kg. Only for use on private premises (e.g. lumberyards), not for use on public roads. Article no. K3 or K4 required.	~ 350	○
TA	Tractor chassis with overrun brake 2,310 – 4,360 kg max. 25 km/h only lof. drawbar eye 4 cm, hitch height approx. 80 cm, max. drawbar load 500 kg, incl. light bar. Article no. K3 and/or K4 required.	~ 400	○
K3	Hydr. chain conveyor 3 m, built-in (for article no. T and/or TA)	~ 500	○
K4	Hydr. chain conveyor 4 m, built-in (for article no. T and/or TA)	~ 650	○
Q2	Cross conveyor 170 cm - 2 × 140 cm: Strand spacing 170 cm (measurement: C) for max. timber length 250 cm. Can be tilted by means of manual rope winch. Article no. K3 required.	~ 300	○
Q3	Cross conveyor 300 cm - 3 × 140 cm strand spacing 150 cm (measurement: C) for max. timber length 400 cm. Can be tilted by means of manual rope winch. Article no. K4 required.	~ 500	○
H	Log lifting device for max. 2.5 m log length Article no. T and/or TA and K3 required	~ 170	○
H4	Log lifting device for max. 4.0 m log length Article no. T and/or TA and K4 required.	~ 250	○
Z2	PTO drive front and side. Article no. T and/or TA required.	~ 50	○

Splitting knife SpaltFix S

For maximum log diameters with central splitting.

Article no.	Name	Weight kg	SpaltFix S-280	SpaltFix S-360
F0001917	Splitting knife for 4 parts (for log \varnothing 0–28 cm)	~ 20	✓	
F0001833	Splitting knife for 4 parts (for log \varnothing 0–35 cm)	~ 20		✓
F0001916	Splitting knife for 6 parts (for log \varnothing 10–28 cm)	~ 25	○	
F0001826	Splitting knife for 6 parts (for log \varnothing 10–35 cm)	~ 24		○
F0001832	Splitting knife for 8 parts (for log \varnothing 17–30 cm)	~ 26		○

○ optionally available ✓ standard

Accessory equipment SpaltFix S

Article no.	Name	SpaltFix S-280	SpaltFix S-360
Z2000637	Walterscheid W-Line universal joint shaft	○	
F0001904	Log support with lifting device incl. load-holding valve for max. 200 cm timber length and \varnothing 30 cm (article no. H required)	○	
F0001914	Lights unit, push-on	○	
F0002137	Chip extraction connection \varnothing 10 cm	○	
F0002179	Hour counter for E-drive	○	
F0002251	Hour counter for PTO-, PTO/E-drive (Reed-contact)	○	
Z2000649	Walterscheid W-Line universal joint shaft		○
F0003458	Infeed extension with roller, 100 cm		○
F0002942	Log support with lifting device for max. 200 cm timber length and \varnothing 30 cm		○
F0002955	Lights unit, push-on		○
F0002952	Chip extraction connection \varnothing 10 cm		○
F0003735	Chip extraction connection \varnothing 15 cm		○
M7380	Chip extraction unit E3,0-400 3.0 kW E-drive 400V, S6, CEE 16A, with 2-m suction hose (\varnothing 15 cm) and 8-m pressure hose (\varnothing 10 cm), with hand-gearred trolley. Weight: 65 kg.	○	○
F0002251	Hour counter PTO-, PTO/E-drive (Reed contact), with speed display		○
F0001898	Tank heater 230V		○

○ optionally available

Service and wear parts SpaltFix S

Article no.	Name	SpaltFix S-280	SpaltFix S-360
F0002769	Infeed belt	○	
F0003124	Service kit (1,000 h): Set of footrests and filter element	○	
Z1300098	WIDIA saw blade \varnothing 70 cm bore 40 mm (84 teeth, 4.6 mm thick)	○	
F0002767	Infeed belt		○
F0003486	Service kit (1,000 h): Set of footrests and filter element		○
Z1300130	WIDIA saw blade \varnothing 90 cm, bore 40 mm (96 teeth, 6 mm thick)		○

○ optionally available

Log charging solutions SpaltFix S

Chain conveyors

! Special

Article no.	Name	A m	SpaltFix S-280	SpaltFix S-360	
F0002227	Hydraulic chain conveyor 2 m	2	○	○	
F0002228	Hydraulic chain conveyor 3 m	3	○	○	
F0002229	Hydraulic chain conveyor 4 m	4	○	○	

○ optionally available

Roller conveyors

! Special

Article no.	Name	A m	SpaltFix S-280	SpaltFix S-360	
F0002594	Hydraulic roller conveyor 3 m	3	○	○	
F0002334	Hydraulic roller conveyor 4 m	4	○	○	

○ optionally available

Accessory equipment for chain conveyor

! Special

Article no.	Name	
D	Three-point linkage for chain conveyor (F0002227 and/or F0002228)	
H	Log lifting device for hydraulic chain conveyor F0002227) for max. log Ø xx cm and 2.5 m length maximum	
H4	Log lifting device for hydraulic chain conveyor F0002228 2 lifting cylinders with Overcenter flow divider for max. log Ø 35 cm and 4 m length maximum	

Cross conveyor for roller conveyor

! Special

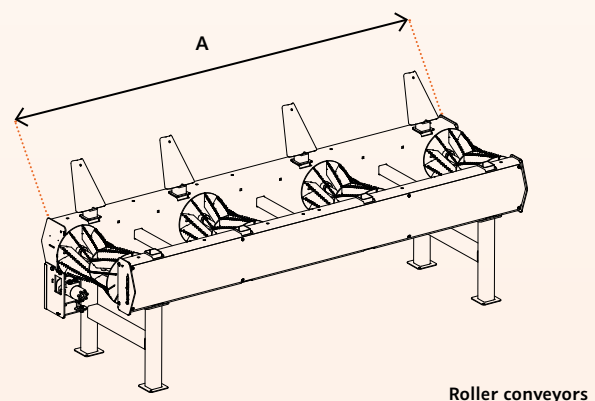
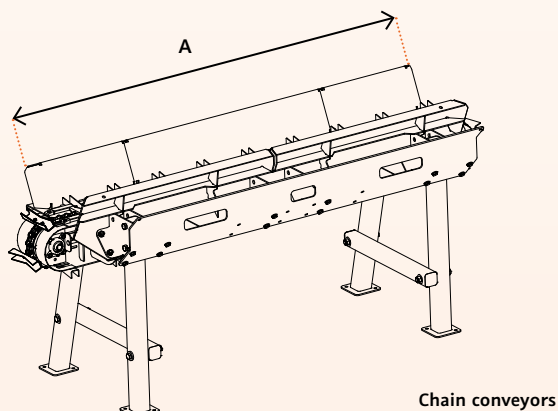
Article no.	Name	Max. log length m	B m	C m	Number of chain strands	SpaltFix S-280	SpaltFix S-360
F0002141	Cross conveyor 3 m – 3 × 2.2 m for roller conveyor 4 m	3-4	2.2	1.4 / 1.4	3	○	○
F0002166	Cross conveyor 3 m – 3 × 3.2 m for roller conveyor 4 m	3-4	3.2	1.4 / 1.4	3	○	○
F0002167	Cross conveyor 3 m – 3 × 4.2 m for roller conveyor 4 m	3-4	4.2	1.4 / 1.4	3	○	○

Log conveying systems

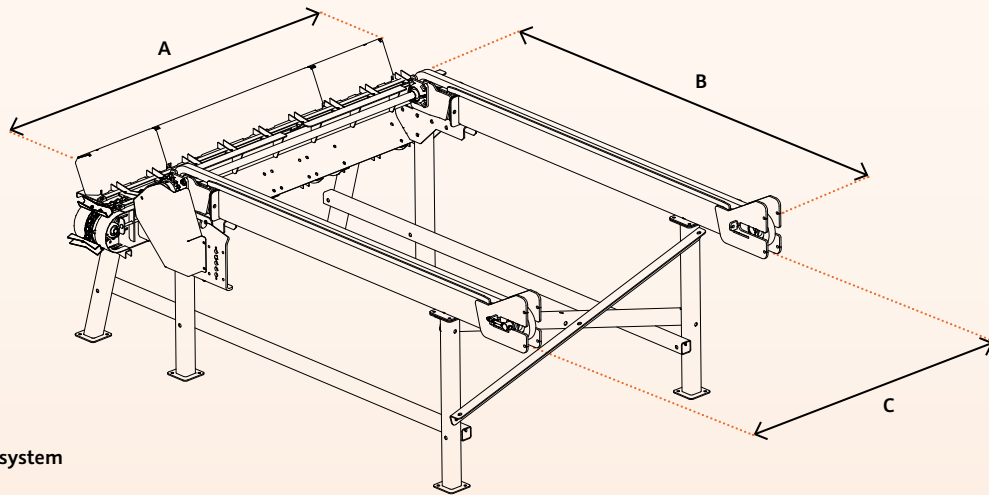
Combination of chain conveyor and cross conveyor

! Special

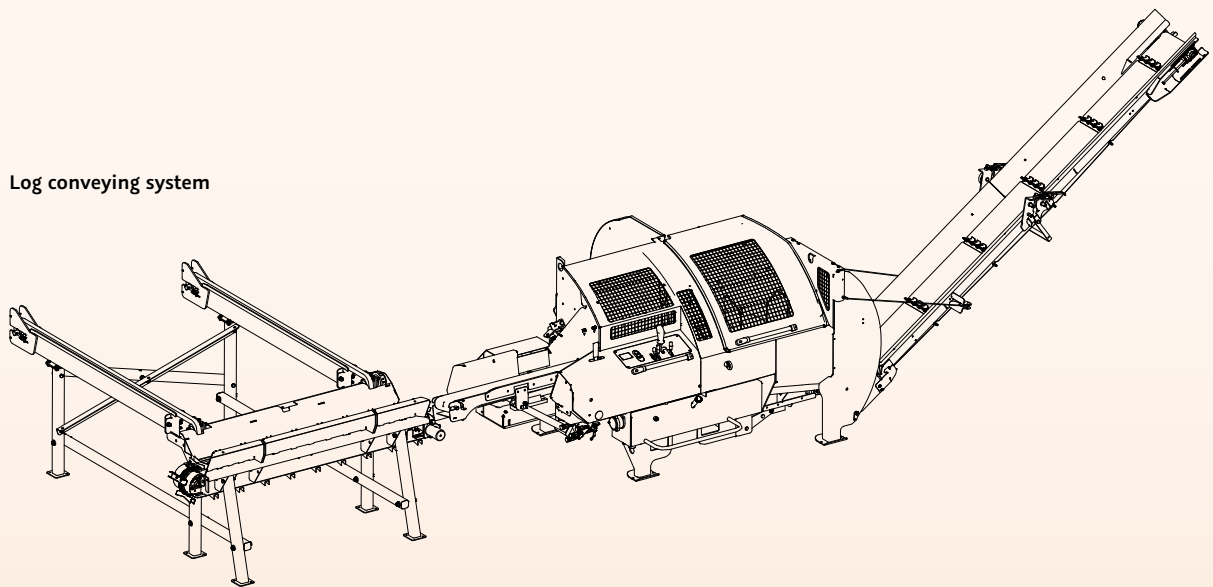
Article no.	Name	Max. log length m	A m	B m	C m	Number of chain strands	
F0002257	Chain conveyor 2 m + cross conveyor 2.2 m	2-2.5	2	2.2	1,55	2	
F0002258	Chain conveyor 2 m + cross conveyor 3.2 m	2-2.5	2	3.2	1,55	2	
F0002235	Chain conveyor 2 m + cross conveyor 4.2 m	2-2.5	2	4.2	1,55	2	
F0002259	Chain conveyor 2 m + cross conveyor 2.2 m	2-2.5	2	2.2	0.78 / 0.78	3	
F0002260	Chain conveyor 2 m + cross conveyor 3.2 m	2-2.5	2	3.2	0.78 / 0.78	3	
F0002261	Chain conveyor 2 m + cross conveyor 4.2 m	2-2.5	2	4.2	0.78 / 0.78	3	
F0002225	Chain conveyor 3 m + cross conveyor 2.2 m	3-3.5	3	2.2	1.2 / 1.2	3	
F0002236	Chain conveyor 3 m + cross conveyor 3.2 m	3-3.5	3	3.2	1.2 / 1.2	3	
F0002262	Chain conveyor 3 m + cross conveyor 4.2 m	3-3.5	3	4.2	1.2 / 1.2	3	
F0002238	Chain conveyor 4 m + cross conveyor 2.2 m	4-5	4	2.2	1.2 / 1.2 / 1.2	4	
F0002263	Chain conveyor 4 m + cross conveyor 3.2 m	4-5	4	3.2	1.2 / 1.2 / 1.2	4	
F0002264	Chain conveyor 4 m + cross conveyor 4.2 m	4-5	4	4.2	1.2 / 1.2 / 1.2	4	
B	Installation of the cross conveyor on the operator's side						



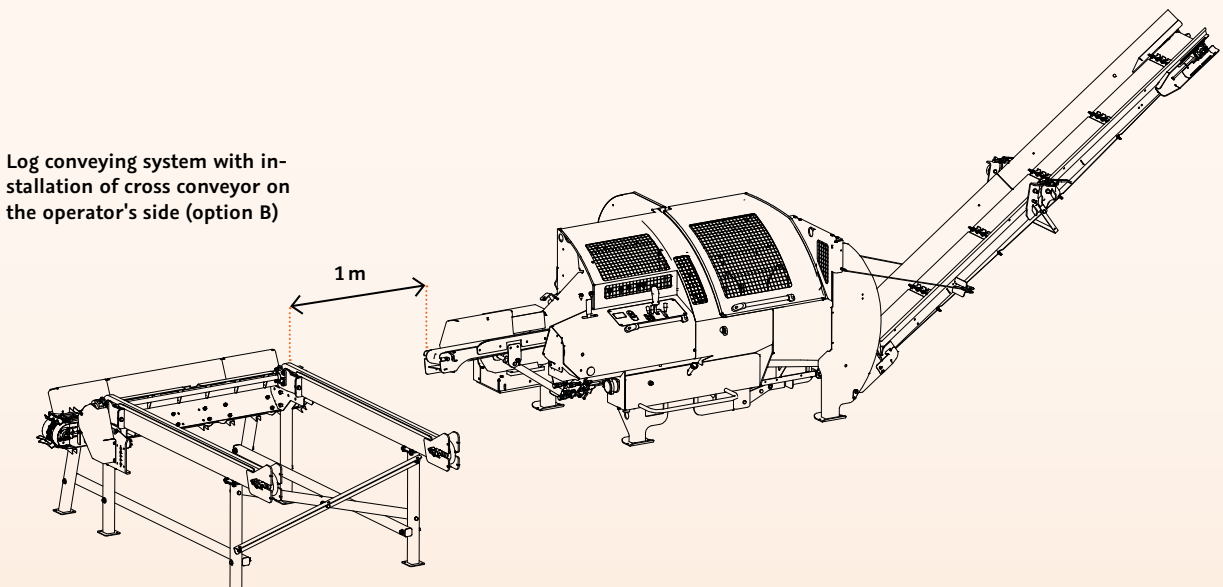
○ optionally available



Log conveying system



Log conveying system

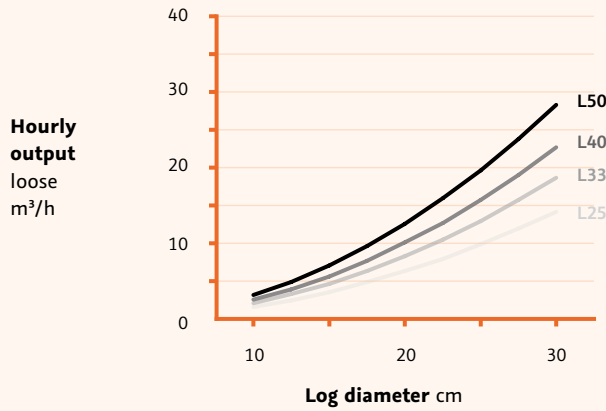


Log conveying system with installation of cross conveyor on the operator's side (option B)

Output calculations for SpaltFix S

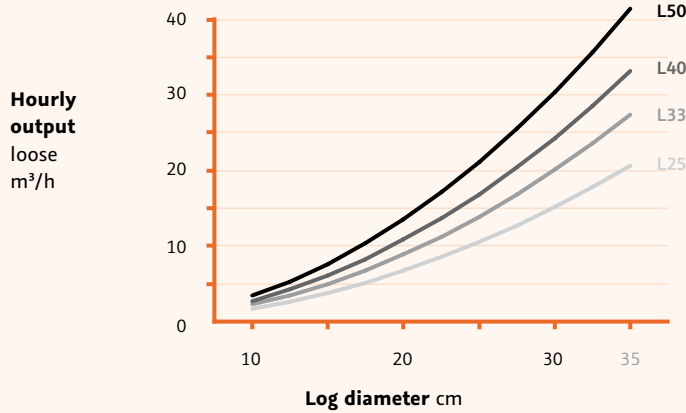
The specified output calculation is a theoretical reference value. The precise conversion depends on timber diameter and also timber length, the loading process, continuous operation, etc.

SpaltFix S-280
Basis: 400 cycles/h



Cutting lengths cm
L25, L33, L40, L50

SpaltFix S-360
Basis: 430 cycles/h



Cutting lengths cm
L25, L33, L40, L50

Conversion table

- 1 solid m³ ~ 1.4 m³
- 1 solid m³ ~ 2.0–2.4 loose m³
- 1 loose m³ ~ 0.7 m³

- SCM...solid cubic metre
- CM...cubic metre
- LCM...loose cubic metre

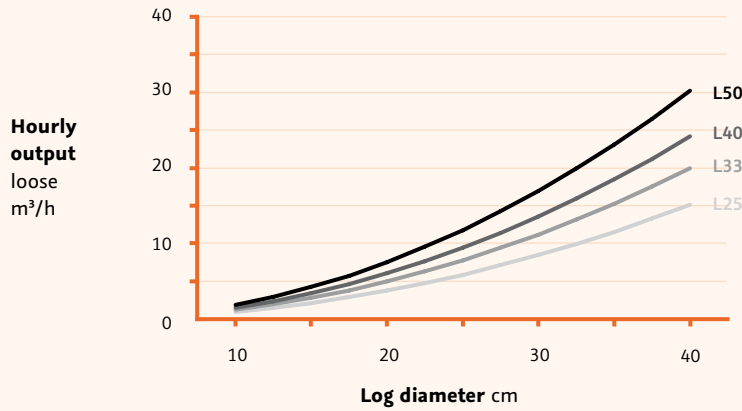
The precise conversion depends on timber diameter and timber length in addition.

Output calculations for SpaltFix K

The specified output calculation is a theoretical reference value. The precise conversion depends on timber diameter and also timber length, the loading process, continuous operation, etc.

SpaltFix K-440

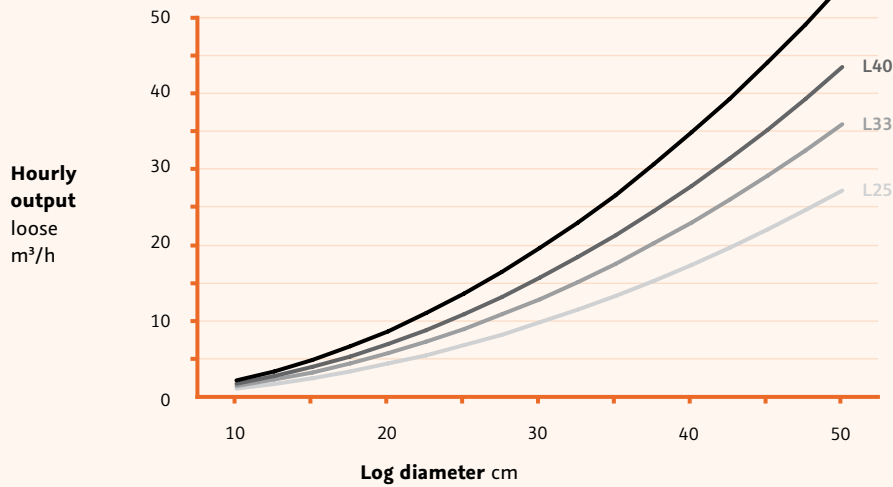
Basis: 240 cycles/h



Cutting lengths cm
L25, L33, L40, L50

SpaltFix K-540

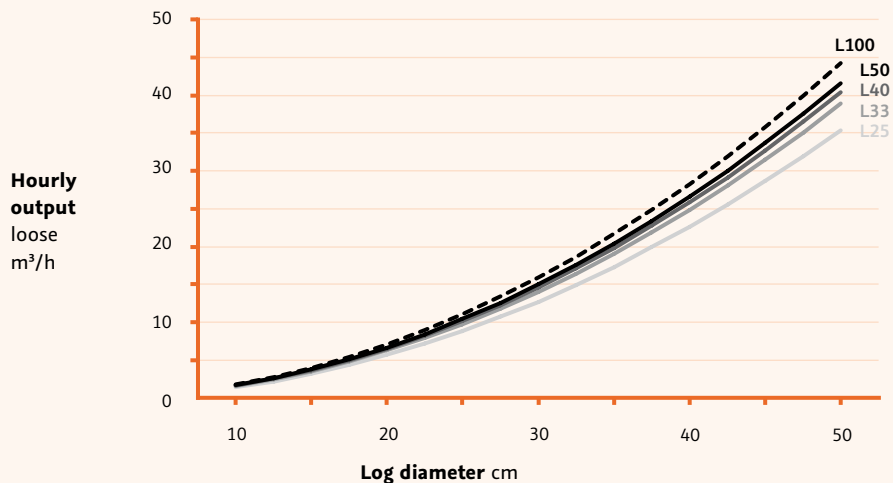
Basis: 280 cycles/h



Cutting lengths cm
L25, L33, L40, L50

SpaltFix K-550

Basis: OptiSplit

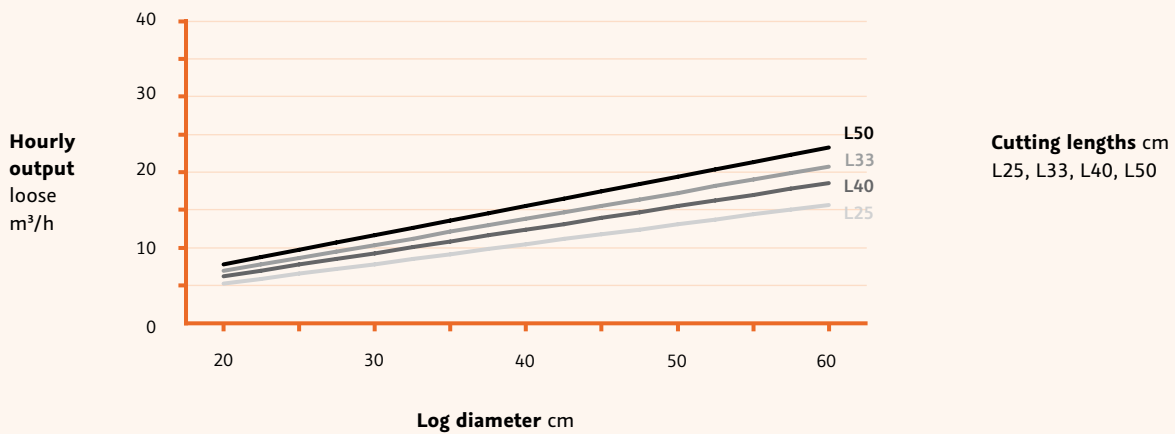


Cutting lengths cm
L25, L33, L40, L50, L100

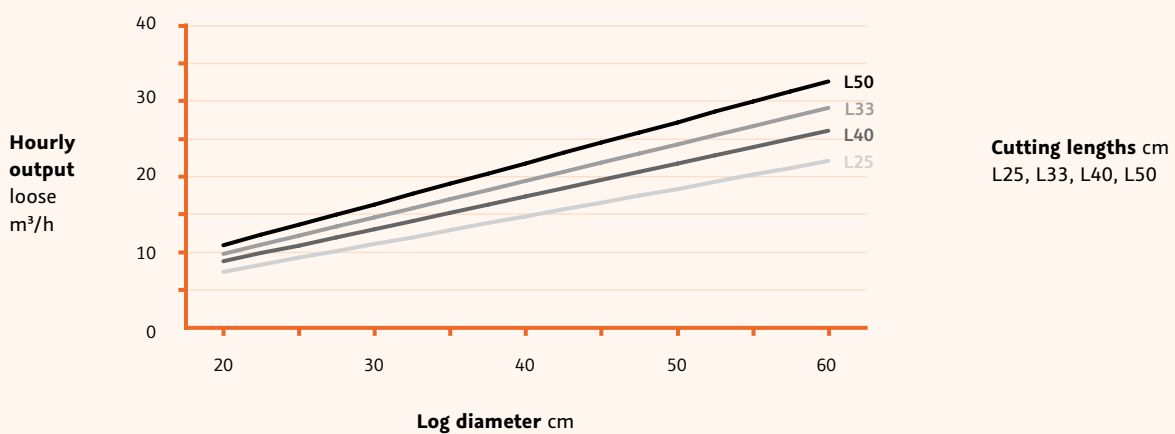
Output calculations for SpaltFix K-600 Vario

The specified output calculation is a theoretical reference value. The precise conversion depends on timber diameter and also timber length, the loading process, continuous operation, etc.

SpaltFix K-600 Vario
Billet edge length 7cm (D10)



SpaltFix K-600 Vario
Billet edge length 10 cm (D14)



Conversion table

- 1 solid m³ ~ 1.4 m³
- 1 solid m³ ~ 2.0–2.4 loose m³
- 1 loose m³ ~ 0.7 m³

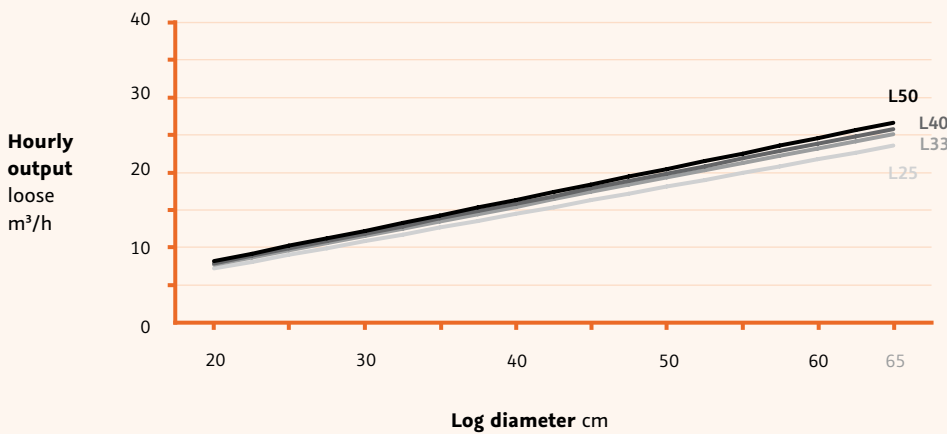
- SCM...solid cubic metre
- CM...cubic metre
- LCM...loose cubic metre

The precise conversion depends on timber diameter and timber length in addition.

Output calculations for SpaltFix K-650 Vario

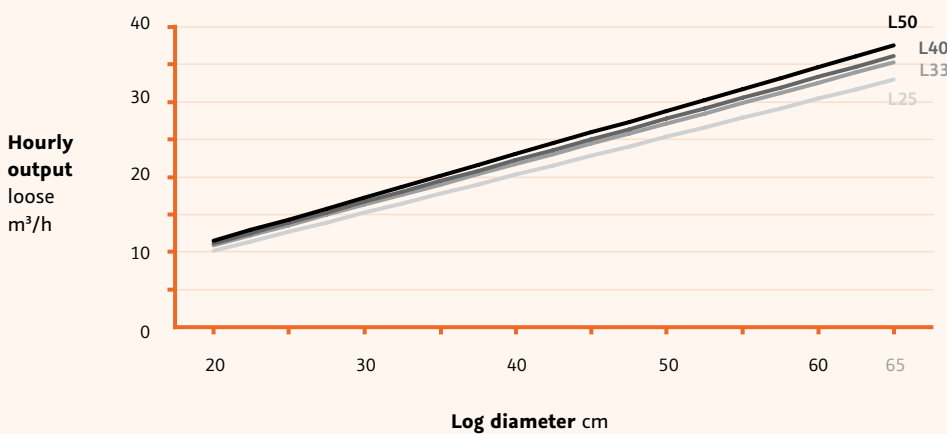
The specified output calculation is a theoretical reference value. The precise conversion depends on timber diameter and also timber length, the loading process, continuous operation, etc.

SpaltFix K-650 Vario
Billet edge length 7cm (D10)



Cutting lengths cm
L25, L33, L40, L50

SpaltFix K-650 Vario
Billet edge length 10cm (D14)



Cutting lengths cm
L25, L33, L40, L50

Conveyor Belts Overview

	4/5 m FBX ^①	4/5 m FSX	6/8 m FSX
Length m	4 / 5	4 / 5	6 / 8
Ejection heights per length from / to	1.0 – 2.7 m / 1.1 – 3.3 m	1.46 – 3.0 m / 1.73 – 3.7 m	2.45 – 3.70 m / 3.20 – 4.80 m
Belt width cm	30	55	55
Belt structure	Individual elements	Individual elements	Single-part rubber belt
Pneumatic rubber wheels ø cm	40	40	40
can be combined with	Tilting saws, short-log splitter and other POSCH devices (except split cutter)	Split cutter	Split cutter
Conveyor belt speed cm/s	50	70	70
Drawbar	✓		○

① Conveyor belt inclination between 10° and 40° adjustable with manual rope winch

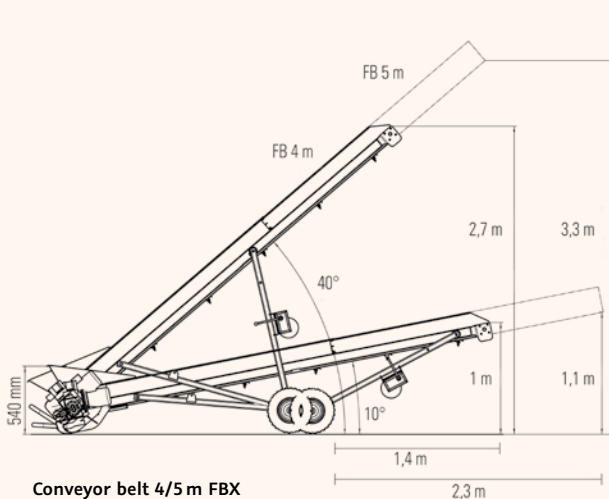
○ optionally available

✓ standard

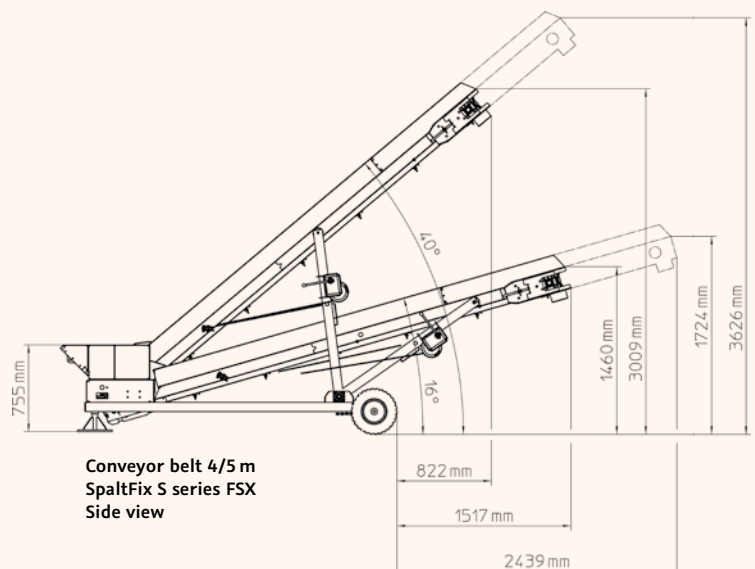
Conveyor belts 4/5 m FBX

Conveyor belt width 30 cm, ejection height max. 3.3 m with 5 m conveyor belt. For loading finished firewood from tilting saws, short timber splitters and other POSCH devices. Not suitable for SpaltFix models, split cutters and wood chips.

Article no.	Type	Drive	Weight kg
M8150	4 m E0,75-400V	0.75 kW E-motor 400V, S6, CEE 16A	~ 220
M8152	4 m E0,75-230V	0.75 kW E-motor 230V, S6	~ 210
M8100	4 m PS	Tractor hydraulics, size 3 hydraulic sleeve, capacity 16 l/min – max. 130 bar	~ 205
M8155	5 m E0,75-400V	0,75 kW-E-Motor 400V, S6, CEE 16A	~ 250
M8157	5 m E0,75-230V	0.75 kW-E-motor 230V, S6	~ 250
M8105	5 m PS	Tractor hydraulics, size 3 hydraulic sleeve, capacity 16 l/min – max. 130 bar	~ 240



Conveyor belt 4/5 m FBX
Side view



Conveyor belt 4/5 m
SpaltFix S series FSX
Side view

Conveyor belts 4/5 m and 6/8 m FSX for SpaltFix

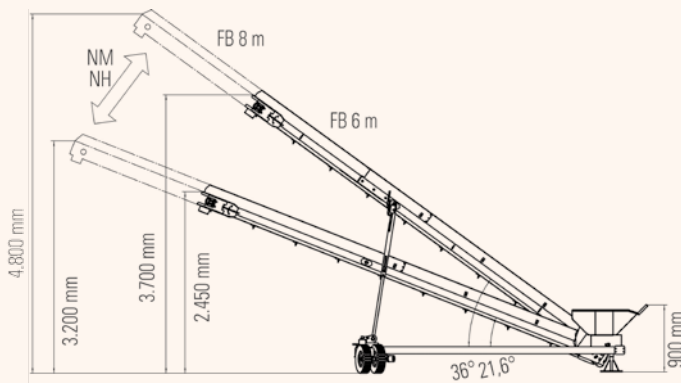
Conveyor belt width 55 cm and conveyor belt speed 70 cm/s for the fast loading of finished firewood with the powerful SpaltFix models.

! Special

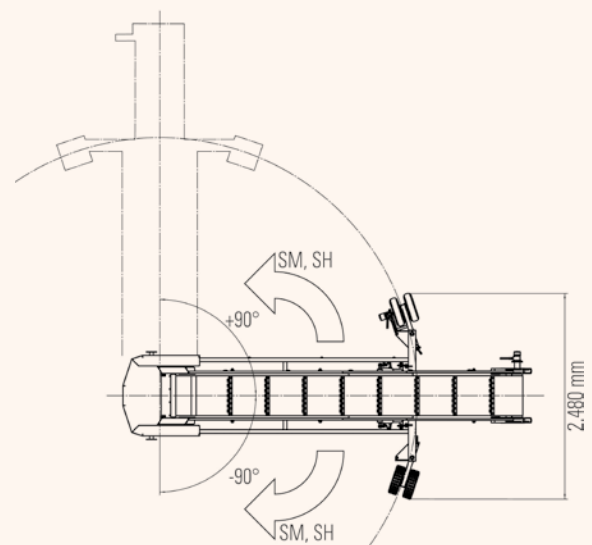
Article no.	Type	Drive	Weight kg	Conveyor belt inclination and tilt mechanical	Conveyor belt inclination and tilt hydraulic
M8192	4 m E4,0-400V manual	4 kW E-motor 400V, S6, CEE 16A	~ 575	✓	
M8197	5 m E4,0-400V manual	4 kW E-motor 400V, S6, CEE 16A	~ 620	✓	
M8134S	6 m E4,0-400V manual	4 kW E-motor 400V, S6, CEE 16A	~ 900	✓	
M8166S	6 m E5,5-400V hydraulic	5.5 kW E-motor 400V, S6, CEE 16A	~ 950		✓
M8143S	8 m E4,0-400V manual	4 kW E-motor 400V, S6, CEE 16A	~ 1,050	✓	
M8176S	8 m E5,5-400V hydraulic	5.5 kW E-motor 400V, S6, CEE 16A	~ 1,100		✓

Accessory equipment conveyor belt 6/8m FSX for SpaltFix

Article no.	Name
F0002427	Support wheels left and right for transportation
F0003578	Drawbar, only possible with tilting mechanism



Conveyor belt 6/8 m FSX
Side view



Conveyor belt 6/8 m FSX
Layout

Bundling device with composite band

The ideal accessory for all splitters: Bundles half-metre and metre-long logs with composite band

Article no.	Name	Weight kg
M7200	Bundling device with three-point linkage cat. I + II stop for even filling	~ 225

Accessory equipment bundling system – composite band

Holds logs together safely.

Article no.	Name
F0003531	Composite complete set comprising: <ul style="list-style-type: none"> • Tensioning device • Band dispenser, mobile • Composite strap 19 mm width, 2 reels of 500 m length • 1,000 closing buckles, galvanised
F0003532	Composite set without band dispenser, comprising: <ul style="list-style-type: none"> • Tensioning device • Composite strap 19 mm width, 2 reels of 500 m length • 1,000 closing buckles, galvanised
F0002557	Band dispenser set
Z9700051	Tensioning device
Z9700056	Band dispenser, mobile
Z9700064	Composite strap 19 mm width, 2 reels of 500 m length. Plasticised textile strap, especially for sharp-edged products and use at low temperatures, high UV-resistance, high tear strength.
Z9700080	Closing buckles, galvanised (1,000 pcs./pack), suitable for composite strap (Z9700064)
F0001829	Insulating wooden stop panel (noise-reducing)

Bundling device – Fybron

Pre-tensioning and bundling with pressed yarn, no tools necessary.

Article no.	Name	Weight kg
M7205	Bundling device Comfort with 2,000 m Fybron cord	~ 238

Accessory equipment bundling device – Fybron

Fybron for metre-long logs with pressed yarn

Article no.	Name
F0003171	2 reels of pressed-yarn cord Fybron approx. 1,040 to 1,050 m/reel (approx. 90 bundles)

PackFix Hydro Stationary

Only unit can be transported.

! Special

Article no.	Type	Drive	Weight kg
M7350S	PS	Tractor hydraulics, max. pump delivery rate 10l/min, max. 150 bar, size 3 hydraulic plug, stationary model without three-point linkage	~ 620
M7355S	E3-400	3 kW E-motor 400V, S6, CEE 16A, stationary model without three-point linkage	~ 635
M7357S	E3-230	3 kW E-motor 230V, S6, stationary model without three-point linkage	~ 610
M7360S	B2,6	2.6kW petrol engine, consumption: 0.5-0.7l/h, tank capacity: 0.77l, stationary model without three-point linkage	~ 640
M7351	PZ	Push-on PTO pump max. 430 rpm	~ 610

PackFix Hydro Mobile

Can only be operated via three-point, unit and log bundles can be transported together, tractor necessary for operation.

! Special

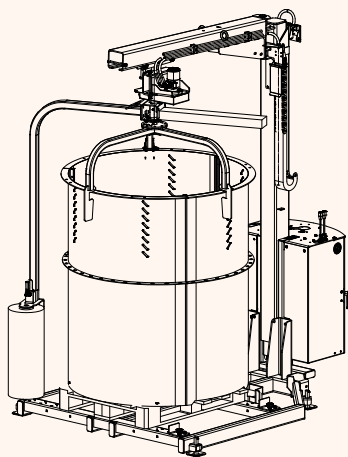
Article no.	Type	Drive	Weight kg
M7340M	PS	Tractor hydraulics, max. pump delivery rate 10l/min, max. 150 bar, size 3 hydraulic plug, with three-point linkage and pallet fork	~ 540
M7341M	PZ	Push-on PTO pump max. 430 rpm, with three-point linkage and pallet fork	~ 570

PackFix Hydro Universal

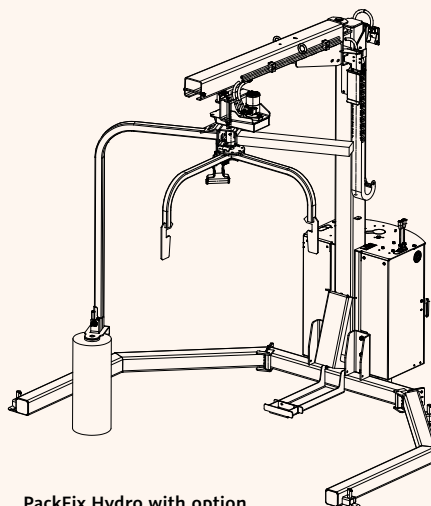
Unit and log bundles can be transported, operation without tractor possible

! Special

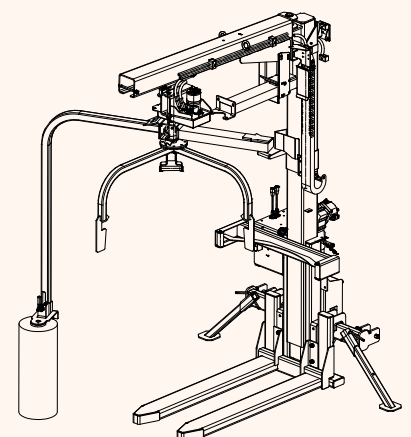
Article no.	Type	Drive	Weight kg
M7344	PZE	<ul style="list-style-type: none"> Push-on PTO drive max. 430 rpm 3 kW E-motor 400V, S6, CEE 16A 	~ 680



PackFix Hydro Stationary



PackFix Hydro with option "G/H"



PackFix Hydro Mobile

Special Equipment PackFix Hydro

Valid for initial equipment, incl. assembly.

! Special

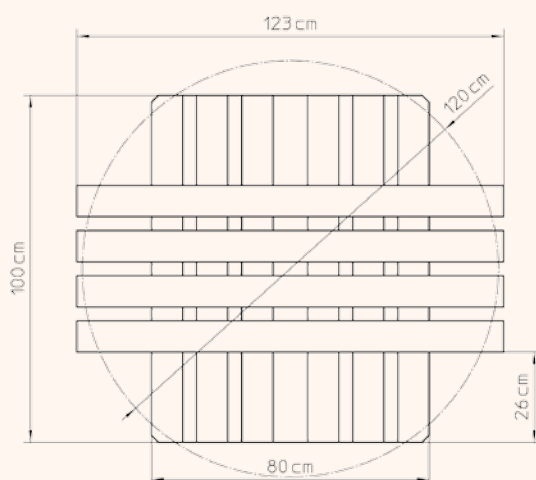
Article no.	Name	Stationary	Mobile	Universal
UR	Adjustable base frame instead of standard pallet fork. Level underground required.	✓	○	✓
PG	Pallet fork		✓	✓
GH	Floor frame for charging with pallet truck instead of standard base frame. Level underground required.		○	○
GH without surcharge	Floor frame for charging with pallet truck instead of standard base frame. Level underground required.	○		○
TH	Tilting table incl. second filling drum with hydr. drive from control panel, incl. installation (instead of standard base frame – only for stationary operation)	○		
X	Surcharge for 30 cm higher drum with volume of 2 loose m ³ (machine height + 60 cm) for PackFix Hydro.	○		

○ optionally available ✓ standard

Accessory equipment for PackFix Hydro

! Special

Article no.	Name
F0002877	Pallet fork, for use like PackFix Hydro mobile (= standard article no. "P")
F0002880	Floor frame for charging with pallet truck
F0002579	Additional filling drum for PackFix with quick-change system 1.6 loose m ³ (= standard article no. "GH")
F0002659	Additional filling drum for PackFix with quick-change system 2 loose m ³ , higher than standard drum by 30 cm (can only be used with option X)
Z9900500	Round bale net 0.6 m × 1,800 m (for 55 to 60 units) 1 round bale net is supplied with the machine as a standard
Z9900501	Round bale net 0.6 m × 1,800 m, 1 pallet = 64 reels



Pallet variants

→ Ideal solution:

Pallet is wrapped as well. Single-use pallet 100 × 80 cm + 4 boards of 123 cm length (see drawing on the left)

→ Other solutions without wrapping of the pallet:

- Euro pallet 120 × 80 cm + 4 boards of 123 cm length
- Single-use pallet 123 × 123 cm (no additional boards required)

LogFix L

For cleaning the billets.

! Special

Article no.	Type	Drive	Weight kg
M8185RC	E2,2-400	2.2 kW E-drive 400 V, S6, CEE 16A, with waste funnel. With radio remote control for switching on and off, max. 25 loose m ³ /h.	~ 760
M8186RC	E2,2-230	2.2 kW E-drive 230V, S6, with waste funnel With radio remote control for switching on and off, max. 25 loose m ³ /h.	~ 760
M8187	PS	Tractor hydraulics, size 2 hydraulic sleeve, capacity approx. 15 l/min – 150 bar, with waste funnel	~ 750
Z	Access guard for LogFix, no waste funnel (optional filling, e.g. of a PackFix drum)		~ 50
S	Surcharge for screen width 38 mm		

Accessory equipment for LogFix L

! Special

Article no.	Drive	Weight kg
F0003402	Retrofitting of access guard for LogFix with E-drive	~ 100
F0003403	Retrofitting of access guard for LogFix with HP-drive	~ 100
F0003483	Supporting frame for LogFix (without access guard) when using a PackFix with tilting table, filling height: min. 2.8 m	~ 20
F0003561	Supporting frame for LogFix (for option access guard) when using a PackFix with tilting table, filling height: min. 2.8 m	~ 25
F0003544	Supporting frame for LogFix (without option access guard) when using a PackFix with tilting table and drum volume of 2 loose m ³ (version X), filling height: min. 3.1 m	~ 31
F0003492	Conveyor belt chute after LogFix, transfer height approx. 1 m	~ 92

LogFill

Interim storage of billets and measured loading and/or
cleaning with roller screen at the same time. Incl. conveyor belt F2

! Special

Article no.	Type	Drive	Weight kg
M8050RC	E4,0-400	4.0 kW E-drive 400 V, S6, CEE 16A with radio remote control for switching on and off, max. 25 loose m ³ /h	~ 2,000

Special equipment for LogFill

The machine is equipped with a 2 m conveyor belt (F2) as a standard.
Further conveyor belt lengths or a roller screen for the LogFill plus are available acc. to the table.

! Special

Article no.	Drive	Weight kg
F2	2 m conveyor belt, standard, ejection height 1.8 m (optional with F0003498: 2.55 m)	~ 265
F4	Surcharge 4 m conveyor belt, ejection height: 2.6 m (optional with F0003498: 3.35 m)	~ 400
S3	LogFill plus with roller screen 3 × 1 m, 15° rising, ejection height approx. 1.9 m, screen width: 45 mm (no conveyor belt)	~ 1,500
S338	LogFill plus with roller screen 3 × 1 m, 15° rising, ejection height approx. 1.9 m, screen width: 38 mm (no conveyor belt)	~ 1,600
F0003498	Additional frame for increasing the ejection height by 0.75 m (suitable for F2/F4)	~ 95

Chopper Overview

	ProfiHäcksler	HackBlitz
Application	Shredding and composting	Shredding
Timber diameter max. cm	5	10
Mode of operation	27 rotating mallets	Chopping disk ø 50 cm
Weight min/max kg	175 / 210	382
Drive		
PTO (tractor) ^①	●	●
E-motor ^②	●	
Petrol	●	
Hand-gearred trolley with solid rubber wheels ø 30 cm for E- and B-drive	✓	

① Profi Häcksler: Universal joint shaft required, three-point linkage cat. I
HackBlitz: Three-point linkage cat. I + II

② E-motor: Switch with motor circuit breaker and phase inverter

ProfiHäcksler

The professional equipment for shredding waste and preparation of compost. There is no guarantee that the chips produced will be suitable for wood chip heating systems.

Article no.	Type	Drive	Weight kg
M3251S	E7, 5-H ^②	7.5 kW E-motor 400V, S6, CEE 16A	~ 175
M3200S	Z-D ^①	Tractor, power consumption 7 kW, max. 700 rpm	~ 210
M3261S	B9,7-H	9.7 kW (13 HP) Briggs & Stratton Vanguard 4-stroke petrol engine, manual starter	~ 182

HackBlitz

The sturdy professional equipment for the effortless shredding of tree cuttings and waste wood.

Article no.	Type	Drive	Weight kg
M4605	Z-W-D ^①	Tractor, power consumption 35 kW, hydraulically driven top infeed roller (forward and return movement)	~ 380

● available

○ optionally available

✓ standard

Accessory equipment

Article no.	Name	ProfiHäcksler	HackBlitz
Z2000638	Walterscheid W-Line universal joint shaft with overload clutch	○	
Z2000660	Walterscheid W-Line universal joint shaft max. 900 Nm (overload clutch)		○
Z2000646	Walterscheid W-Line universal joint shaft max. 900 Nm (overload clutch and freewheel for tractors with hydraulic PTO clutch)		○
F0001516	Set of chopping knives (2 pcs.) with 6 bolts		○
F0002660	Set of mallets with cutting edge (27 pcs.)	○	
Z1201760	Mallet with cutting edge (1 pc.)	○	
F0001482	Hour counter for machines with petrol engine	○	
F0002179	Hour counter for machines with E-drive	○	
F0001806	Hour counter for machines with PTO-drive (Reed contact), with speed display	○	

Debarking Overview

	Debarking machine	SchälProfi
Timber diameter	15 cm	7-24 cm 4-20 cm (option: smaller screw necessary)
Number of knives per debarking disk pcs.	4	4
Weight min/max kg	114 / 162	294 / 384
Drive		
PTO (tractor) ^①	●	●
PTO / E-motor (combination) ^①	●	●
E-motor ^②	●	●
Mode of operation	manual	automatic
Solid rubber wheels ø cm	25	30

Debarking machine

For pointing and debarking piles.

Article no.	Type	Drive	Weight kg
M1371E	E5,5 ^②	5.5 kW E-motor 400V, S6, CEE 16A, two-groove V-belt drive	~ 132
M1373E	E5,5D ^②	5.5 kW special motor 400V, S6, CEE 16A, Debarking disk directly mounted on motor shaft	~ 114
M1372E	Z ^①	Tractor, power consumption 7.5 kW, three V-belts	~ 136
M1374E	Z-E5,5 ^{①②}	• Tractor • 5.5 kW E-motor 400V, S6, CEE 16A	~ 162

SchälProfi

The professional equipment for pointing and debarking automatically starts the debarking process.

! Special

Article no.	Type	Drive	Weight kg
M1410E	Z ^①	Tractor, power consumption 11 kW, max. 700 rpm	~ 299
M1400E	E11 ^②	11 kW E-motor 400V, S6, CEE 32A	~ 294
M1420E	Z-E11 ^{①②}	• Tractor • 11 kW E-motor 400V, S6, CEE 32A	~ 384

^① Debarking machine:
Universal joint shaft required, three-point linkage cat. I,
E-model mobile on two solid rubber wheels ø 25 cm

● available

○ optionally available

SchälProfi:
Universal joint shaft required, three-point linkage cat. I + II

^② E-drive: Motor circuit breaker,
zero-voltage release and
brake mechanism

Accessory equipment

Article no.	Name	Debarking machine	SchälProfi
F0001584	Support table for covering the screw		○
F0001566	Discharge extension 35 cm		○
F0001567	Discharge extension 50 cm		○
F0001360	Three-point linkage for the transportation of machines with E-drive		○
Z1201700	Spare knife (1 pc.) for debarking disk (4 pcs. required!)		○
F0001435	Spare knives (1 set = 4 pcs.)		○
Z2000635	Walterscheid W-Line universal joint shaft	○	
Z2000653	Walterscheid W-Line universal joint shaft		○
F0001339	Timber support for easy handling of long logs (over 3 m) with tilting mechanism (for E- and PTO/E-drive)		○
F0001574	Timber support for easy handling of long logs (over 3 m) with tilting mechanism (for PTO-drive)		○
Z1201720	Knife (1 pc.) for debarking disk, tempered and sharpened	○	
F0001434	Complete set of knives debarking machine	○	
A104	Re-sharpening of one set of knives (4 pcs.)	○	
A112	Re-sharpening of one set of knives (4 pcs.)		○
F2007733	Screw $\varnothing 8 \times 12$ cm, lead 1 cm (gold-silver), for timber \varnothing smaller than 7 cm		○
F2007588	Screw $\varnothing 8 \times 12$ cm, lead 12 mm (gold-silver)		○
F0001806	Hour counter for machines with PTO- and PTO/E-drive		○



POSCH Locations



POSCH Austria

Paul-Anton-Keller-Straße 40
8430 Leibnitz/Kaindorf
Austria

T +43 34 52 / 82 954
F +43 34 52 / 82 954-53
E leibnitz@posch.com



POSCH Germany

Preysingallee 19
84149 Velden/Vils
Germany

T +49 87 42 / 20 81
F +49 87 42 / 20 83
E velden@posch.com

